

#### Do's and don'ts

- Do read all the instruction leaflet before commencing installation.
- Do install the controller with a double pole isolating switch with a contact gap of 3mm in each pole.
- Do make sure the mains electricity supply is switched off before attempting to make electrical connections or carry out any maintenance or cleaning
- Don't wire more than one fan into each controller.

#### Guarantee

##### Customers outside UK - see international below.

- UK: The fan is guaranteed against defects for three years from the date of purchase.
- Please keep your purchase receipt.
- If you have any problems, contact Xpelair's Head Office at the address shown below.

#### Technical advice and service

##### Customers outside UK - see international below.

##### UK: Xpelair have a comprehensive range of services including:

- Free technical help-desk for Engineers on all aspects of ventilation.
- Free design service, quotations and site surveys.
- Service and maintenance contracts to suit all requirements.

Please ask for details:

- By telephone on Techline: **+44 (0) 8709 000430**
- By fax on on Techfax: **+44 (0) 8709 000530**
- At the address below.

#### Head Office

Applied Energy Products Ltd, Morley Way, Peterborough, PE2 9JJ, England  
Telephone: **+44 (0) 1733 456789**  
Fax: **+44 (0) 1733 310606**  
Sales Hotline: **+44 (0) 8709 000420**  
<http://www.xpelair.co.uk>

#### For all your spares requirements (UK only) –

Applied Energy Products Ltd, Parts Dept, Morley Way, Peterborough, PE2 9JB, England  
Telephone: **+44 (0) 8709 077077**  
Fax: **+44 (0) 8709 076076**

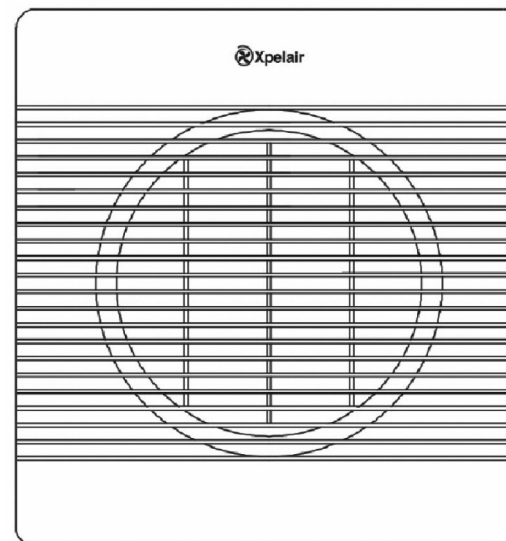
#### International

- Guarantee: Contact your local distributor or Xpelair direct for details.
- Technical Advice & Service: Contact Your local Xpelair distributor.
- **Export Sales & Administration**

# Internal / External Wall / Panel WX6 fan WX6T with timer

## *Installation and maintenance instructions*

Retain for future reference

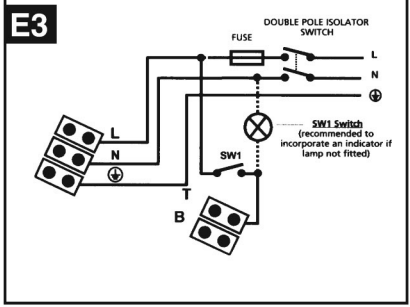
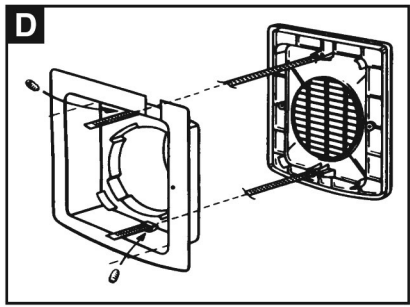
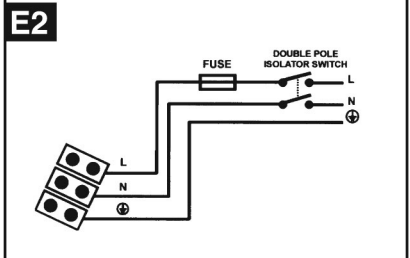
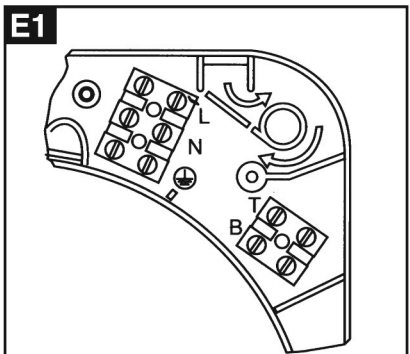
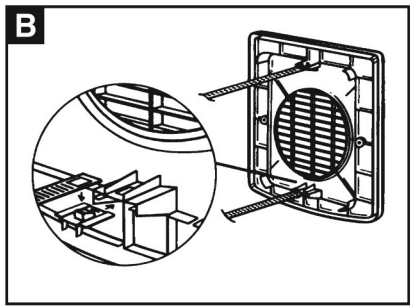
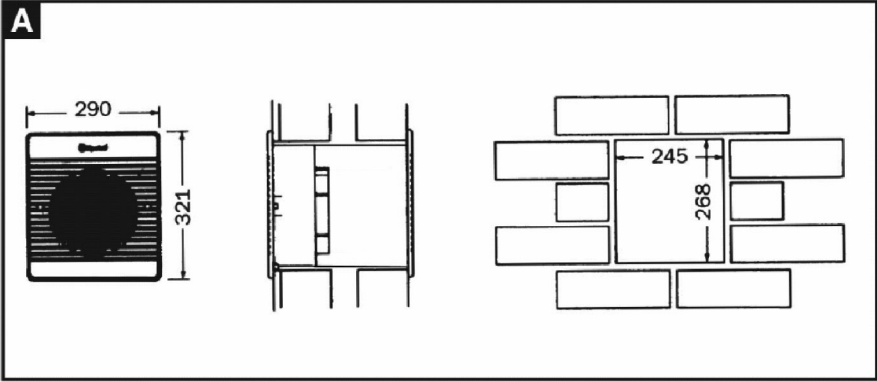


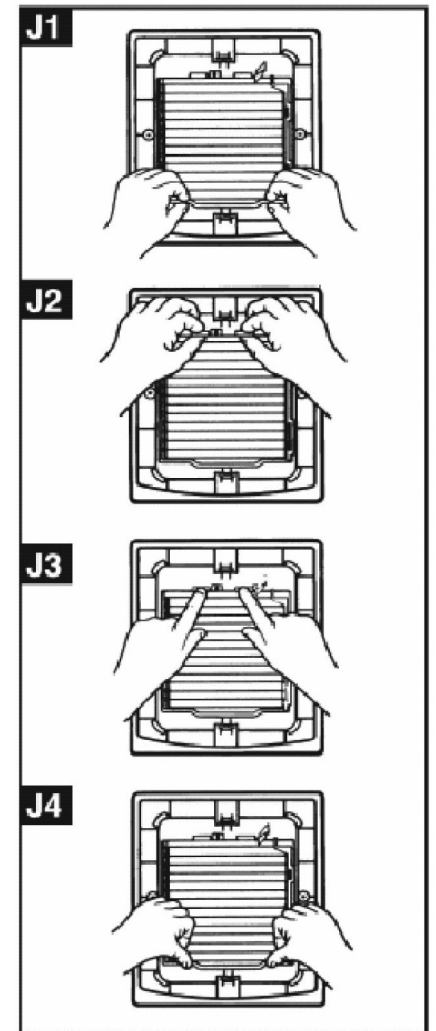
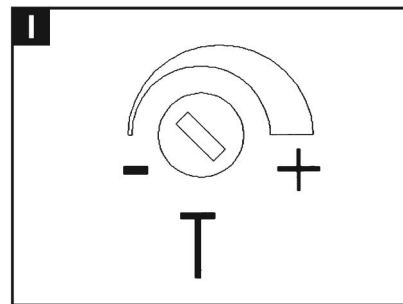
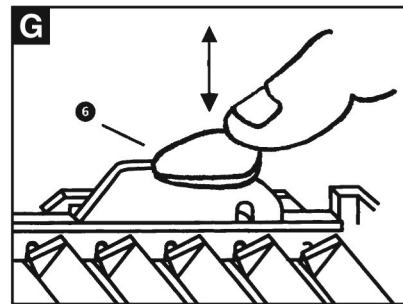
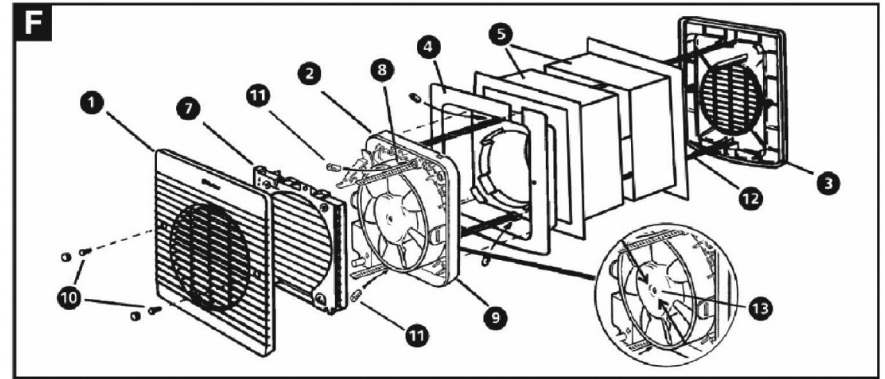
applied energy



Part No. 23818AA  
(Rev A)







## Xpelair WX6/WX6T installation and operating instructions

Please leave this leaflet with the fan for the benefit of the user

### Installing the Fan

These appliances are intended for connection to fixed wiring.

Check that the electrical rating shown on the fan matches the mains supply **F9**.

**WARNING: THESE APPLIANCES MUST BE EARTHED.**

**All installations must be supervised by a qualified electrician.**

**Installations and wiring must conform to current IEE Regulations (UK), local or appropriate regulations (other countries).**

If you have any queries before installing these products or after they have been installed, call the Xpelair Technical Hotline +44 (0) 8709 000430. Our engineers are there to help you during normal office hours (UK only) and may be faxed at all other times +44 (0) 8709 000530.

Customers outside the UK please contact your local Xpelair distributor.

### Description

The WX6 models have the following features:

- ◆ Wall/Panel mounting options.
- ◆ Single speed extract operation.

#### WX6

- ◆ For remote switch operation.
- ◆ Trickle Ventillation Setting.

#### WX6T

- ◆ For remote switch operation.
- ◆ Integral timer facility.
- ◆ Trickle Ventillation Setting.

### What the installer will need

- A means for disconnection in all poles must be incorporated in the fixed wiring in accordance with the wiring regulations.
- ◆ **If metal switch boxes are used, earthing regulations must be followed.**
- ◆ Suitably rated 4 core cable (see 'Installing switches and cables' section).
- ◆ 6mm blade large screwdriver, 3mm blade electrician's screwdriver and No. 1 & 2 Pozidriv screwdrivers.
- ◆ Masonry drill, hammer & chisel.
- ◆ Extendible wall tube, WK6 for walls deeper than 11"/290mm. Available in 300mm or 450mm length.

### Where to locate the fan

- ◆ Locate it as high as possible.
- ◆ At least 200mm from the edge of the wall to the centre of the hole.
- ◆ As far away as possible from and opposite to the main source of air replacement to ensure airflow across the room (e.g. opposite the internal doorway).
- ◆ Near the source of steam or odours.
- ◆ **Not where ambient temperatures are likely to exceed 50°C.**
- ◆ **If installed in a kitchen, fans must not be mounted immediately above a cooker hob or eye level grill.**
- When the fan is installed in a room containing a fuel burning appliance, precautions must be taken to avoid the backflow of gases into the room from the open flue of the fuel burning appliance.
- ◆ **When intended for use in possible chemical corrosive atmospheres, consult our Technical Service Department. (For overseas market contact your local Xpelair distributor).**

- ◆ **This electrical product, if installed in a shower room or bathroom must be situated so that it cannot be touched by persons making use of the bath or shower.**

This appliance is not intended for use by persons (including children and the infirm) with reduced physical, sensory or mental capabilities, or lack of experience and knowledge, unless they have been given supervision or instruction concerning use of the appliance by a person responsible for their safety.

Children should be supervised to ensure that they do not play with the appliance.

### Installing the switches and cables

- 1 Check there are no buried pipes or cables e.g. electricity, gas, water behind the switch location (in wall or above the ceiling).**
- 2** Lay in the cable from the isolating switch to the fan location via the on/off switch if required.
- 3** Lay in the cable from the isolating switch to the point of connection to the mains supply.  
**WARNING: DO NOT MAKE ANY CONNECTIONS TO THE ELECTRICAL SUPPLY AT THIS STAGE.**
- 4** Install the isolating switch and the on/off switch if required.
- 5** Make all connections within the isolating switch and the on/off switch if required.  
**Note: Switches must be so situated that they cannot be touched by persons making use of the bath or shower.**

#### For Australia only

These models are permanently connected to the supply and operation is controlled by a remote switch. They should be directly wired to the supply through an approved 10A wall mounted surface switch with at least 3mm clearance between contacts.

### Preparing the hole

**If working above ground floor level, appropriate safety precautions must be observed.**

**WARNING: EYE PROTECTION MUST BE WORN DURING ALL DRILLING AND CHISELLING OPERATIONS.**

#### For installing in a wall

- 1 Check there are no buried pipes or cables in the wall or obstructions on the outside e.g. electricity, gas, water.**
- 2** Make sure that the centre of the hole is located at least 200mm from the edge of the wall.
- 3** Mark the outline of the hole on the wall (for hole dimensions see **F1**).
- 4** Drill pilot holes around edge of the cutting line.
- 5** Cut through the plaster using a hammer and chisel.
- 6** Cut through the inner wall using a cold chisel or brick bolster. Do not cut right through.
- 7** Go outside and cut a hole in the outer wall ensuring alignment.

### Separating the inner grille and fan from mounting box

- 1** Remove the inner grille assembly by removing the two screws **F10** securing the inner grille assembly to the fan mounting box.
- 2** Remove the two screws **F11** securing the fan assembly to the fan mounting box.

### Mounting the fan mounting box and outer grille **D**

**If working above Ground Floor level, appropriate safety precautions must be observed.**

As described below, the recommended method of installation uses the supplied Ladder Strips.

### دليلي اكنس 6 تي

- ◆ المروحة تعمل بمفتاح عن بعد.

### المكونات

1. شبكة داخلية.
2. مروحة.
3. شبكة خارجية.
4. صندوق مروحة
5. أنبوب جداري
6. ملقط تهوية بطيئة
7. غالق شفط خلفي.
8. غطاء طرفي.
9. صحن معايرة.
10. براغي (طول M4X10mm)
11. براغي (طول M4X20mm)
12. شمع، سلمية.
13. براغي لولبية.