



REC Supply Isolators

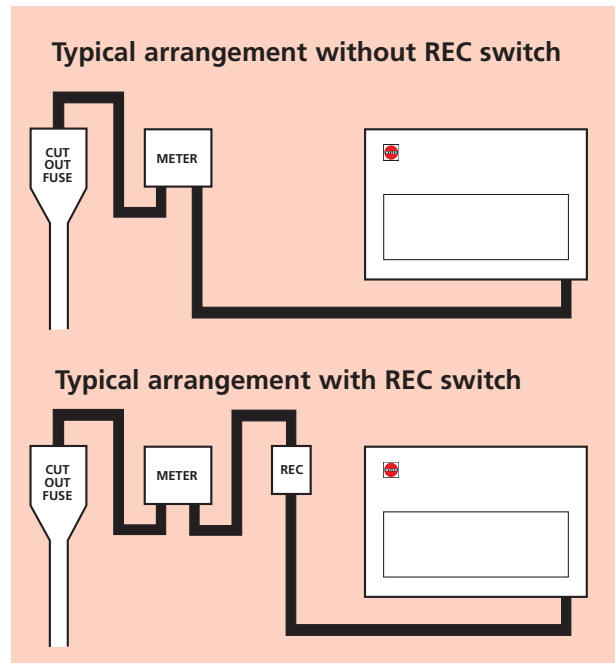


- **EASIER**
- **SAFER**
- **CHEAPER**

In many regions of the UK REC Isolators have become a standard part of a domestic supply arrangement. These are often specified by the supply authority as a mandatory part of the installation hence they are becoming standard in the electrical contractors design.

Using an REC Isolator makes life easier, safer and cheaper for the contractor and the supply authority

- It's easier because the job can be completed in one regardless of who goes to site first – supply authority or contractor
- It's safer because the supply tails are fixed and finalised in a sealed unit – instead of being left hanging loose ready to connect to the meter.
- It's safer because the two part cover can be sealed by the contractor and the supply authority preventing unauthorised access.
- It's safer because unlike terminal blocks these Wylex REC switches are specifically designed for each application- this is aimed at preventing interference or additional tap offs.
- Saves time and money because there are no expensive return visits to site (for either the contractor or the supply authority) to make the final test and connection.



CAT REF	DESCRIPTION	RATING	DIMENSIONS (H W D)		
REC2S	Slimline REC enclosure with double pole switch	100A	150mm	63mm	79mm
REC2	REC enclosure with double pole switch	100A	150mm	100mm	79mm
REC3	REC enclosure with three pole switch	100A	150mm	100mm	79mm
REC4	REC enclosure with four pole switch	100A	150mm	100mm	79mm

