



## IN-LINE MIXED FLOW DUCT FANS ULTRA-QUIET

### TD-SILENT TIMER models (160 to 1000 models)



Validated mark of approval  
noise abatement society  
(See models applied)

Low profile "Mixed-flow" fans with sound-absorbent insulation. **Extremely quiet.**

Certified of **Approval Noise Abatement Society** (TD-350, TD-500, TD-800 and TD-1000 models). Manufactured in plastic material, with a specifically designed internal skin to direct the sound waves in the right angle for them to be captured by the sound-absorbent material (1). Fitted with rubber gaskets on the inlet and outlet to absorb vibrations, **a body that can be dismantled.**

Connection box can be rotated 360°, to facilitate easy connection of the power cable.

#### Motors

Speed controlable 230V50Hz motor, of two speed motors. IP44.

Motors are class B, with ball bearings and safety thermal overload protection.

(1) Except the TD-160 SILENT, that is fitted with the special floating motor system patented by S&P.

#### Additional information

The models offer solutions to ventilation problems, especially in places where people work and low sound level is required.

#### ■ Technical characteristics

#### TD-SILENT-T models

TD-SILENT versions fitted with a run-on-timer adjustable within 1 and 30 minutes and one-speed motor not suitable for speed control.

Model	Speed (rpm)	Maximum absorbed power (W)	Maximum absorbed current (A)	Duty at free discharge (m <sup>3</sup> /h)	Maximum operating temp. (°C)	Sound pressure level* (dB(A))	Ø Duct (mm)	Weight (Kg)
TD-250/100 SILENT - T	2200	24	0,11	240	40	24	100	5,4
TD-350/125 SILENT - T	2250	30	0,13	380	40	20	125	4,94
TD-500/150-160 SILENT-T	2500	50	0,22	580	60	22	150/160	6
TD-800/200 SILENT - T	2780	95	0,45	880	60	19	200	8,7
TD-1000/200 SILENT - T	2500	120	0,5	1100	60	21	200	8,7

\* sound pressure level radiated at 3 m at free air conditions with rigid ducts at the inlet and at the outlet.

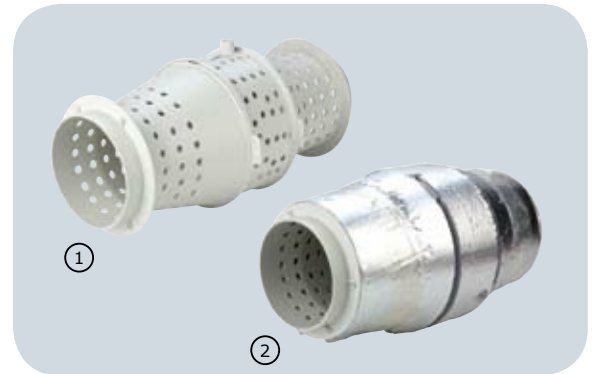
Model	Code	Trade Price (£)
TD-250/100 SILENT - T	5211364500	£138.00
TD-350/125 SILENT - T	5211364600	£149.00
TD-500/150-160 SILENT-T	5211364700	£198.00
TD-800/200 SILENT - T	5211364800	£270.00
TD-1000/200 SILENT - T	5211364900	£434.00

**Low profile**



The low profile of the TD-SILENT fans makes them the most effective solution for installations where the space of installation is limited such as false ceilings.

**Low noise level**



Sound waves produced inside the TD, are directed through the perforated inner skin ① and absorbed by the layer of sound-absorbent material ②.

**Easy maintenance**



Bi-material support brackets, which in addition to simplifying installation, serve as joint seals.

**Connection box rotated 360°**



Connection box can be rotated 360°, to facilitate easy connection of the power cable.

**Flexible washers**



Bi-material inlet and outlet incorporating a flexible washer to facilitate installation and absorb vibrations.

**Support bracket**



Support bracket for installing on a wall or ceiling, incorporating twin-material support brackets for the motor section that absorbs vibration.

**Easy to mount**



Loosen and open clamps on both sides



Remove the fan body



Remove the terminal box lid



Connect electrical supply



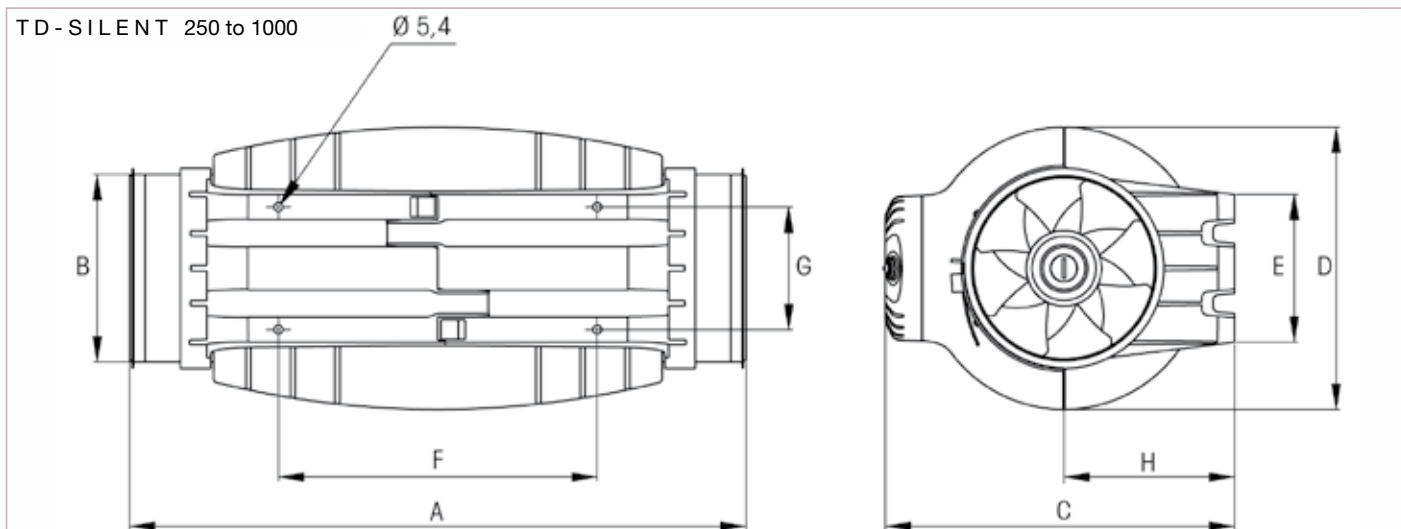
Remount the fan body by tightening the clamps

**Models with Run-On-Timer**



TD-SILENT-T models (from 250 to 1000 models) are fitted with an adjustable timer between 1 and 30 minutes and are supplied with a one-speed motor not suitable for speed control

## ■ Dimensions (mm)



TD-SILENT T 250 to 1000	A	B Ø	C	D Ø	E	F	G	H
TD-250/100	575	97	252	204	100	250	83	121
TD-350/125	462	123	252	204	100	250	83	121
TD-500/150-160*	484	147	274	221	116	250	96	134
TD-800/200	568	198	327	264	145	340	129	164
TD-1000/200	568	198	327	264	145	340	129	164

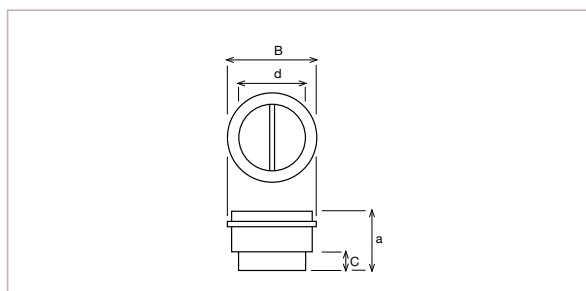
\* It provides an additional rubber gasket for installation in 160 mm ducts.

## ■ Mounting accessories



### MCA-S

Non-return flaps to be installed at the fan discharge. They prevent heat leakages when the extractor is not operating.



MCA-S model	TD-SILENT range
mCa - 250 s	160/100n - 250/100
mCa - 350 s	350/125
mCa - 500/150 s	500/150
mCa - 500/160 s	500/160
mCa - 800-1000 s	800/200 - 1000/200

MCA-S model	A	Ø B	C	Ø D
mCa - 250 s	107	109	31,5	94,5
mCa - 350 s	107	136	31,5	119,5
mCa - 500/150 s	121	163,5	35	147
mCa - 500/160 s	121	173,5	35	157
mCa - 800-1000 s	131,5	214	35	197,5



### MRJ-S

Grilles mounted at the inlet or outlet of the fan, to prevent the entry of any foreign objects that could damage the fan.

MRJ-S model	TD-SILENT range
mRJ - 250 - 350-s	160/100n - 250/100 - 350/125
mRJ - 500/150 - 160-s	500/150 - 500/160
mRJ - 800 - 1000-s	800/200 - 1000/200