



SILENT DUAL



ES EN FR IT DE NL PT DA CS PL RO TR RU



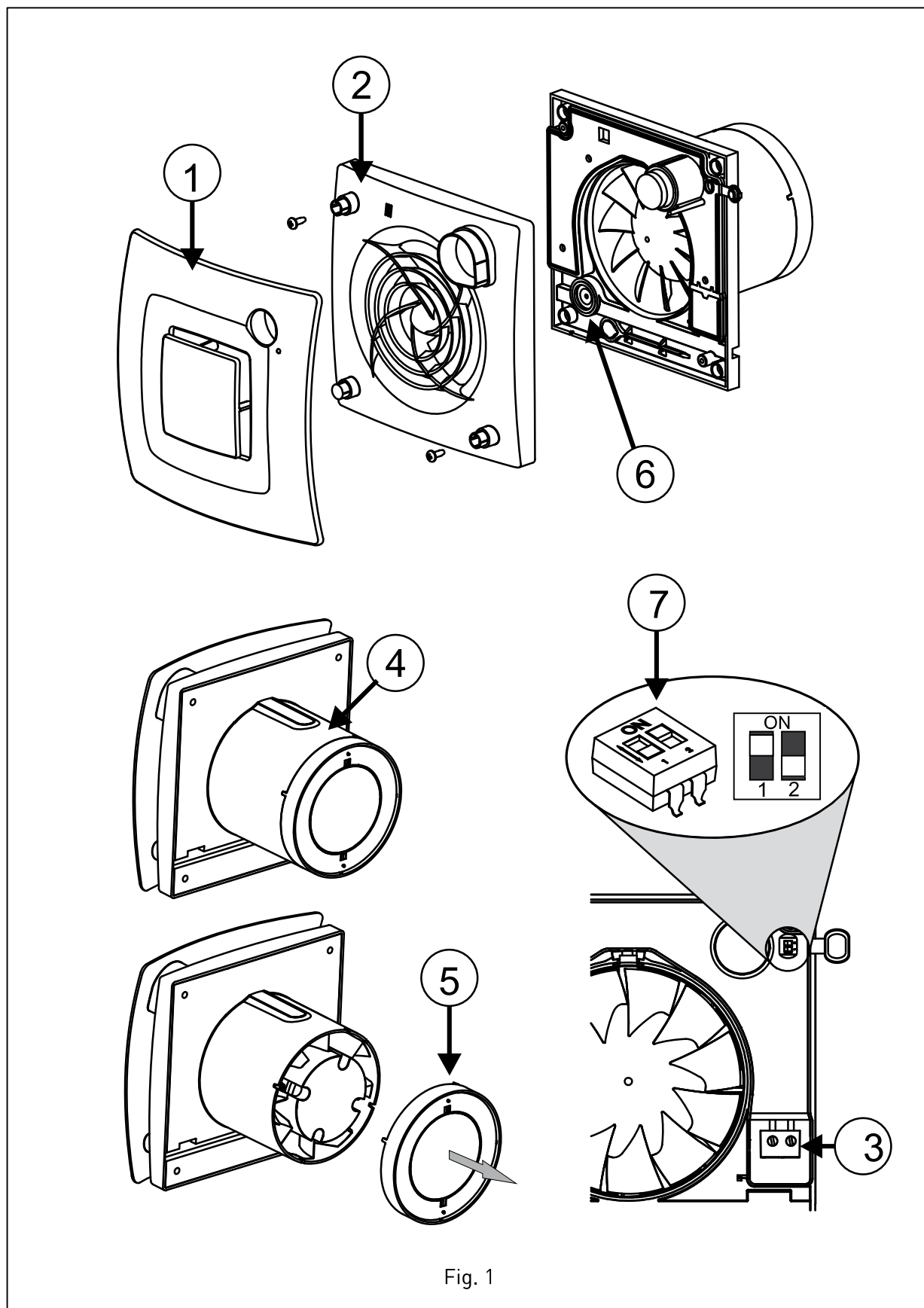
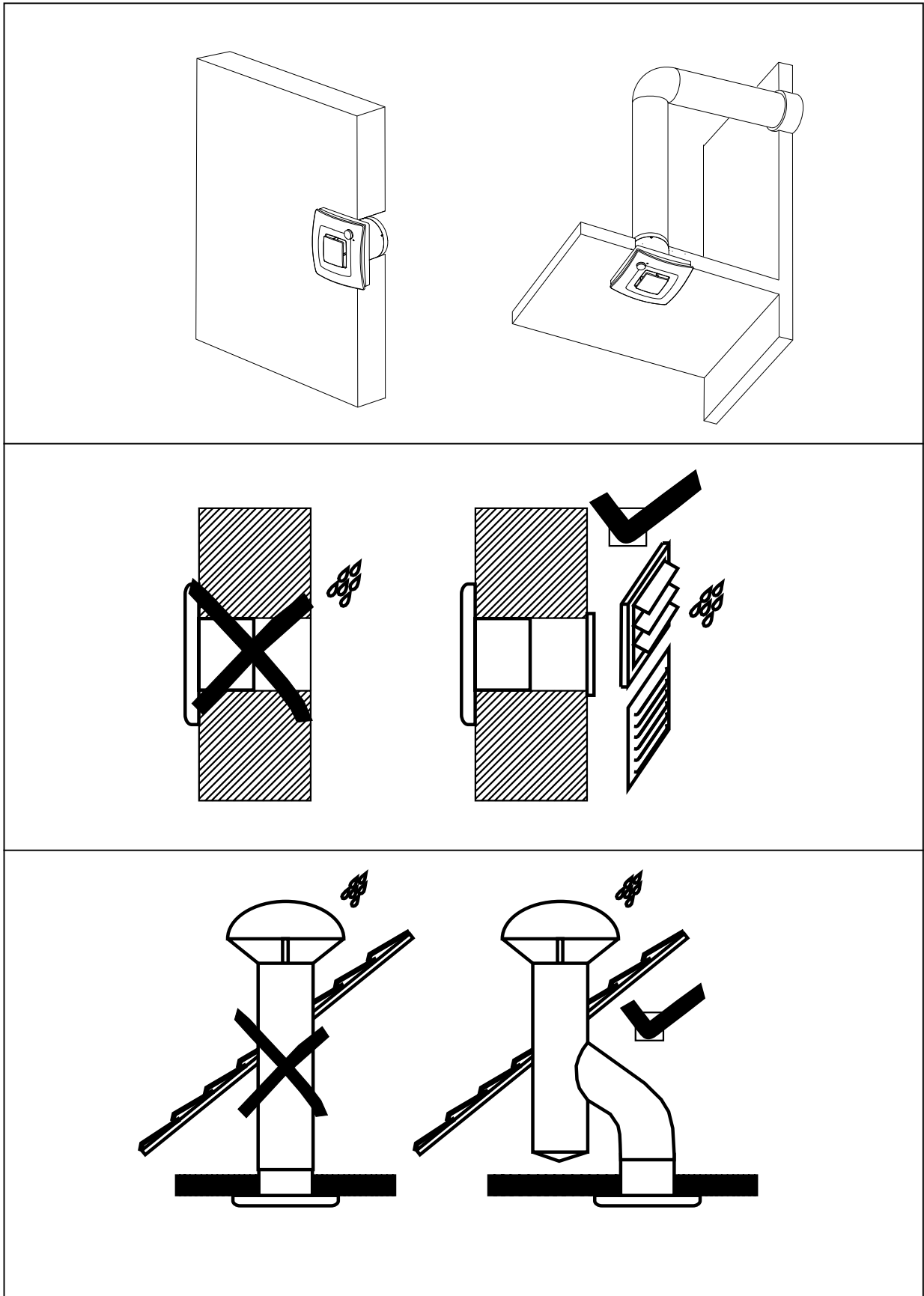


Fig. 1



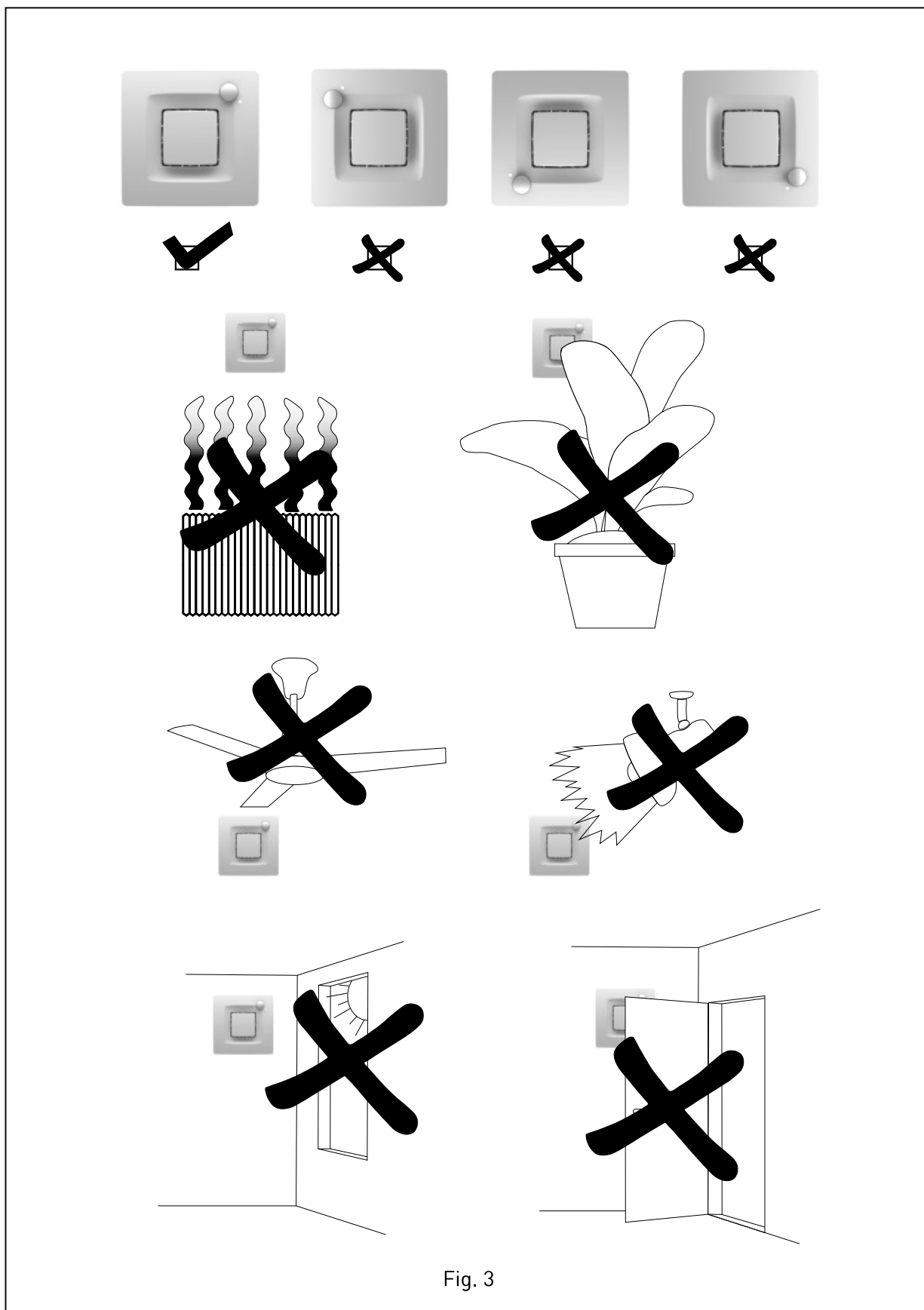


Fig. 3



ENGLISH

SILENT DUAL axial extractor fans

Please read this instruction booklet carefully before installing or starting up the product. It contains important information on personal and user safety measures to be followed whilst installing, using and carrying out maintenance work on the equipment.

The SILENT DUAL extractor fans have been manufactured following current technical safety regulations, production and quality standards as laid down by the international Quality Standard ISO 9001. All components have been checked and every one of the final products will have been individually tested at the end of the manufacturing process.

Check that the product is in perfect condition while unpacking. Make sure that the product corresponds to the one you have ordered and that the details on the instruction plate fulfil your requirements.

The installation and the disconnection device of the fixed installation used must be in accordance with the installation regulations in force in each country. Once the product has been installed, pass this booklet to the end user.

RECOMMENDATIONS

IMPORTANT: Before installing and wiring the unit, ensure that the main supply is disconnected.

Working ambient temperature for fan equipment should not be exceeded. Typically, this falls within -5°C to $+40^{\circ}\text{C}$, unless stated otherwise.

The spigot cannot be connected to a duct which is used to extract smoke from gas or any other fuel appliance.

The extractor must not be used in explosive or corrosive atmospheres.

If the SILENT DUAL fan is operating in a room where there is a boiler or any other kind of combustion device that requires airflow to work, check that the air inlets to the room are sufficient.

This appliance can be used by children aged from 8 years and above and persons with reduced physical, sensory or mental capabilities or lack of experience and knowledge if they have been given supervision or instruction concerning use of the appliance in a safe way and understand the hazards involved. Children shall not play with the appliance. Cleaning and user maintenance shall not be made by children without supervision.

Installation (fig.1):

1. Front grille
2. Front grille support
3. Connection terminals
4. Outlet
5. Removable backdraught shutter
6. Cable entry
7. Setting dip switches

The SILENT DUAL is suitable for wall or ceiling mounting and can either extract directly to atmosphere or via a ducted system (fig.2).



The SILENT DUAL is provided with a PIR (passive infra-red) detector. To work properly, the extractor must be installed in such a way that detection can be carried out easily, avoiding the situations indicated in fig.3.

The unit can be mounted on the wall or ceiling using the 4 raw plugs and the screws provided. Make a hole in the wall or ceiling of diameter:

- SILENT DUAL-100: 105 mm.
- SILENT DUAL-200: 125 mm.
- SILENT DUAL-300: 160 mm.

If the unit is to be installed in a ducted system, use the following standard diameter of duct:

- SILENT DUAL-100: 100 mm.
- SILENT DUAL-200: 125 mm.
- SILENT DUAL-300: 150 or 160 mm.

Ensure that there are no obstructions to the airflow and that the impeller turns freely.

Fix the extractor to the wall in such a way that it is not distorted in order to avoid noise generation or problems with the rotation of the impeller.

The SILENT DUAL is an extractor designed to operate either continuously at low speed or that can be used for intermittent operation (see section "operation")

In continuous operation, the backdraught (5) shutter is not necessary and can be removed.

If it works intermittently, keep the backdraught shutter in place and make sure it opens freely and has not been damaged in transit.

Introduce the mains cable through the cable entry (4) and fix it to the wall.

ELECTRICAL CONNECTION

The SILENT DUAL is an extractor designed for a single-phase supply, with voltage and frequency as indicated on the rating plate of the unit.

The units are manufactured with double electrical insulation (Class II) and therefore they do not need an earth connection.

Once the cable has been connected proceed using the electrical wiring diagram fig.4.



For the extractor fan to work properly, it must be permanently powered.

OPERATION

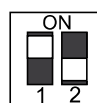
The SILENT DUAL is an extractor fan equipped with a PIR (passive infra-red) detector and a humidity sensor. This sensor permanently controls the humidity level of the room where it is installed, automatically adapting the start-up threshold and the speed of the extractor according to the real environmental conditions throughout the day and peaks in humidity (showers).



The humidity control takes priority over the PIR detector. The PIR detector has priority over the permanent control of the environmental conditions.

Depending on the initial setting, you can choose between two operation modes, either intermittent or continuous.

Intermittent operation



To select this operation, place the dip-switch "1" in the "ON" position.

The extractor fan will stop.

The extractor starts automatically when a slow increase in humidity is detected. It starts at a speed that is in direct proportion to the humidity level in the room until the level returns to the start-up threshold.

The extractor also starts automatically at medium speed (75% of the maximum speed) when movement is detected and will continue to operate for the length of time set by the adjustable "run-on" timer, after being triggered by the PIR.

Two set periods are available: 2 minutes (bathrooms less than 4 m²) and 15 minutes (bathrooms over 4 m²).

To select the set period of the "run on" timer, place the dip-switch "2":



In "OFF" position for 2 minutes.



In "ON" position for 15 minutes.

If no more movement has been detected once the run-on time, set by the timer is passed and the humidity level is below the start-up threshold, the extractor stops automatically.

If the extractor detects a rise in humidity (shower), the fan is boosted to high speed and operates at this speed until the humidity level drops below the start-up threshold level.

Continuous operation



To select this operation, place the dip-switch "1" in the "OFF" position.

Operation is similar to intermittent operation with the difference that the extractor does not stop but runs continuously on trickle speed (43% of the maximum speed).

MAINTENANCE

Fan equipment should be electrically isolated and locked out before any work starts.

The extractor fan only requires periodical cleaning using a cloth lightly impregnated with a soft detergent.

PUTTING OUT OF SERVICE AND RECYCLING



EEC legislation and our consideration of future generations mean that we should always recycle materials where possible; please do not forget to deposit all packaging in the appropriate recycling bins. If your device is also labeled with this symbol, please take it to the nearest Waste Management Plant at the end of its servicable life.

Therefore, please deposit all waste material and packaging in their corresponding recycling containers and hand in the replaced units to

the nearest handler of this type of waste product.

The fan is mainly made of steel, copper and plastic. These components should be recycling in the following categories:

- Steel and iron
- Plastics
- Electronic scrap

AFTER SALES SERVICE

We recommend you do not dismantle or remove any other parts than those mentioned, as any tampering would automatically cancel the guarantee. If you detect any fault, contact your S&P dealer.

REGULATORY INFORMATION

Appliances in the SILENT DUAL range comply with the following Directives:

- Low Voltage Directive 2014/35/EU
- Electromagnetic Compatibility Directive 2014/30/EU
- ROHS Directive 2011/65/EU



S&P SISTEMAS DE VENTILACIÓN, S.L.U.

C. Llevant, 4
Polígono Industrial Llevant
08150 Parets del Vallès
Barcelona - España

Tel. +34 93 571 93 00
Fax +34 93 571 93 01
www.solerpalau.com



Ref. 9023086604