

Innovation of Wireless Kinetic Technology

QUFB4



The Quinetic wireless 4 gang key fob switch is portable and very easy to use. It has a built-in micro energy generator - when the switch is pressed the kinetic system transforms the movement into energy. This transmits a signal to the receiver to turn the lamp or other load on or off. This solves the issue of having to install switch wiring which has been a problem ever since the invention of the lamp.

No Wiring. No Battery. Easy Installation and Usage.

The wireless 4 gang key fob switch is portable and can be used from a maximum of 80m out doors or 25m indoors. There is no longer a need to install back boxes make holes or channel out for switch lines in the wall if you use the Quinetic wireless switch. The Quinetic switch is safe, convenient and extremely simple to install and use.

Collection of Micro Mechanical Energy

Micro energy acquisition (MEA) module constantly generates energy, thus eliminating the need for a battery or mains power supply.



Press switch to produce kinetic energy.



Internal module collects kinetic energy.



Kinetic energy is converted into electricity.



Communication module transmits signal.



Receiver controls the light.



Low power hardware and highly reliable communication protocol

Energy produced by the Quinetic device is very small, so the communicating hardware adheres to strict requirements on low power consumption, wireless transmission and creates a highly stable environment.

The Quinetic switch has a formidable range being effective up to 25m indoors and 80m outdoors. To prevent interference the handshake protocol is integrated with a precise algorithm, a 32-bit address. At every interval communication protocols are sent three times.



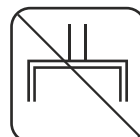
Self Powered



No Radiation



No Maintenance



No Wiring



Durable

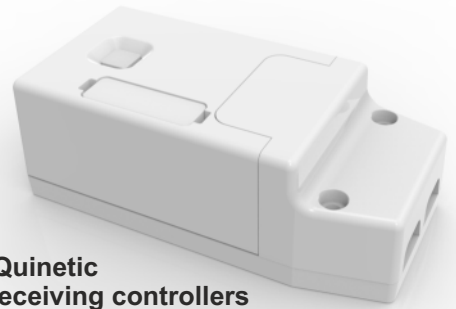


Cost Saving



Wireless 4 Gang Key Fob Switch

QUFB4

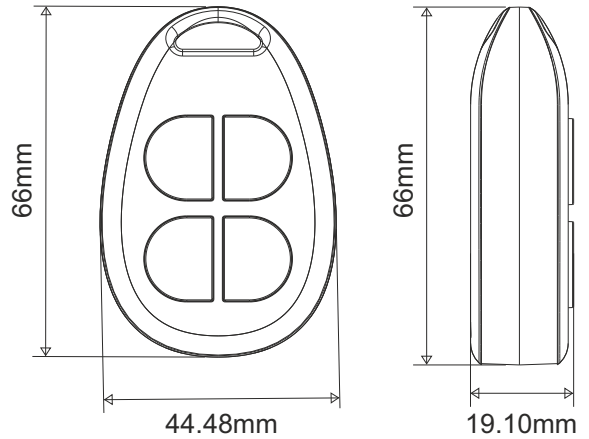


Use with Quinetic wireless receiving controllers

QUFB4 - Quinetic Wireless Switch Specifications:

- Work Type:** Push Button
- Power Source:** Micro Energy Acquisition and self-powered
- Communication Model:** FSK
- Work Frequency:** 433Hz
- Number of Keys:** 4 (4 gang)
- Life Time:** 100,000 times on/off
- Outer Dimensions:** L66 x W44.48mm x H19.10mm
- Work Environment Temperature:** -20°C ~ 55°C
- Control Distance:** 80m (outdoor) / 25m (indoor)
- Control Method:** Pairing with Quinetic Wireless Controller

Product dimensions:



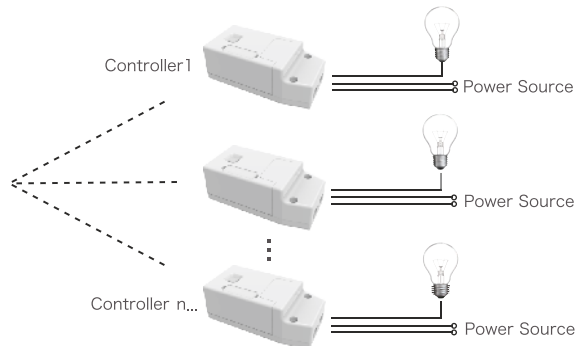
Quinetic Controller Wireless Systems

The wireless Quinetic key fob energy switch and wireless receiving controller can be paired with any combination: a controller can be controlled by a maximum of 10 separate switches, a switch can pair an unlimited number of controllers.

1-Way Wireless System

Single-Multi-Control

Quinetic Wireless Switch



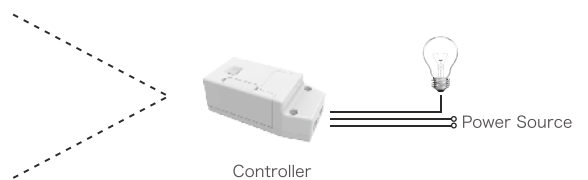
2-Way Wireless System

Dual Control

Quinetic Wireless Switch 1



Quinetic Wireless Switch 2



3-Way Wireless System

Multi-Single-Control

Quinetic Wireless Switch 1



Quinetic Wireless Switch 2



Quinetic Wireless Switch 10

