

Ultra Slim COB LED Floodlights

IP66  220-240V

Please read these instructions before commencing installation & retain them for future reference.

Important information


It is recommended that floodlights are installed by a qualified electrician ensuring the installation complies to current IEE wiring regulations & local building control.

- These products are designed for connection to a 220-240V mains supply.
- We will not accept responsibility for any claims arising from a poor installation.

SPECIFICATIONS:

- **Voltage range:** 220-240 V/AC
- **Frequency:** 50/60 Hz
- **Power:** 10W, 30W, 50W
- **Protection against electric shock:** Class I. Requires earth connection
- **Ingress Protection:** IP66
- **Quality/Corrosive rating:** Suitable for commercial use and indoor/outdoor applications
- **Material:** Die cast Aluminium body with tempered glass diffuser
- **Ambient temperature range:** -8°C to +45°C
- **Beam Angle:** 120°
- **Warranty:** 3 Years
- **Complete with built-in Quinetic Receiver**
- **Control method:** pairing by using Quinetic Wireless Switches or QUPIR* (see next page for instructions)
- **Control distance**:** - up to 15m indoor
- up to 60m outdoor
- **Not Dimmable**
- **Adjustable Bracket**
- **Pre wired with 60cm length of rubberised cable**

INSTALLATION INSTRUCTIONS:

 Always switch off mains supply before servicing.

- Shut off Power. (Fig.1)
- Mount the bracket on the wall (Fig.2)
- Terminate loose ends of wire to an appropriate IP Rated junction box or similar, ensuring Live, Earth and Neutral polarities are observed. (Fig. 3)
 - Live - Brown/Red
 - Neutral - Blue/Black
 - Earth - Yellow/Green

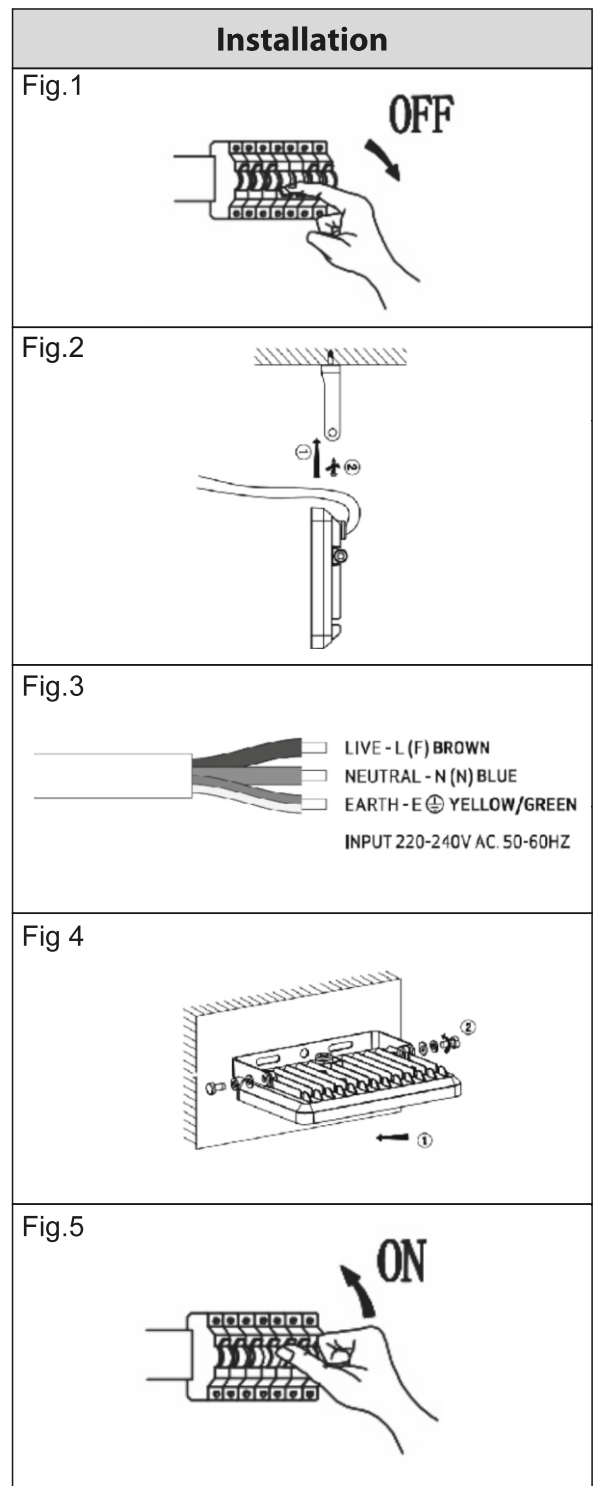
- Connect the fitting to its bracket. (Fig.4)
- Turn On Power (Fig.5) and test the luminaire.
- Follow the pairing instructions to pair the floodlight with the Quinetic Wireless Switch

WARNING: Ensure all items and screws are secure and fitted correctly.

- Floodlights should not be connected in series.

* Quinetic Wireless Switch sold separately

** Distance comes from Quinetic laboratory test results. The actual distance in practical use might vary due to environmental difference.



QUINETIC Ultra Slim COB LED Floodlights

The Quinetic Ultra Slim Floodlight comes with an integrated wireless Quinetic controller that can be paired with the Wireless Quinetic energy switch using any combination: a floodlight can be controlled by a maximum of 10 separate Quinetic switches/PIRs, a switch can pair with an unlimited number of floodlights. Multiple gang switches are supported, for separate floodlight control.

PAIRING INSTRUCTIONS:

1. Turn off the light by switching off mains then turn it back on again.
2. The light will enter in pairing mode for the first 3 seconds.
3. **a. Push Type Switch** (dimmable switch / Key Fob switch) - Press the switch quickly 3 times during the first 3 seconds then wait 5 more seconds for the switch to be paired with the floodlight. After 5 seconds you can press the switch to turn ON/OFF the floodlight and check if the pairing was successful.
- b. QUPIR Quinetic PIR** - Press and hold the pairing button on the PIR sensor for 3 seconds to enter the PIR pairing mode; the green LED sensor indicator will flash slowly (flashing once per second) and then release the button. Press the PIR pairing button quickly 3 times during the first 3 seconds then wait 5 more seconds for the PIR to be paired with the floodlight. After 5 seconds you can move in front of the PIR to turn ON/OFF the floodlight and check if the pairing was successful.
- c. Rocker Type Switch** - Press the switch quickly ON/OFF 3 times (3 ON/OFF cycles) during the first 3 seconds then wait 5 more seconds for the switch to be paired with the floodlight. After 5 seconds you can press the switch to turn ON/OFF the floodlight and check if the pairing was successful.

NOTE: Do not press the switch again before the 5 seconds as this is the required time for pairing. If the switch is pressed again before the 5 seconds have passed the switch will not be paired with the floodlight and step 1 to 3 must be followed again.

4. In order to remove the floodlight stored pairing information follow steps 1 and 2 to enter pairing mode. Press the switch quickly 5 times (5 ON/OFF cycles for standard rocker switch) during the first 3 seconds until the floodlight flashes - this means that the wireless switch is now unpaired.

DIMENSIONS(mm):

