



Kinetic Wireless Switch & Controller

Product Specifications

Innovation of Wireless Kinetic Technology

The Quinetic wireless switch has a built-in micro energy generator. When the switch is pressed the kinetic system transforms the movement into energy. This transmits a signal to the receiver to turn the lamp or other load on or off. This solves the issue of having to install switch wiring which has been a problem ever since the invention of the lamp.



No Wiring. No Battery. Easy Installation and Usage.

There is no longer a need to install back boxes, make holes or channel out for switch lines in the wall if you use the Quinetic wireless switch. It can be installed/placed anywhere you want: glass, marble, ceramic tile and other smooth surface, flat wall surfaces such as painted wall, etc. The Quinetic switch is safe, convenient and extremely simple to install and use.



Collection of Micro Mechanical Energy

Micro energy acquisition (MEA) module constantly generates energy, thus eliminating the need for a battery or mains power supply.



Press switch to produce kinetic energy.



Internal module collects kinetic energy.



Kinetic energy is converted into electricity.



Communication module transmits signal.



Receiver controls the light.



Low power hardware and highly reliable communication protocol

Energy produced by the Quinetic device is very small, so the communicating hardware adheres to strict requirements on low power consumption, wireless transmission and creates a highly stable environment.

The Quinetic switch has a formidable range being effective up to 30m indoors and 160m outdoors. To prevent interference the handshake protocol is integrated with a precise algorithm, a 32-bit address. At every interval communication protocols are sent three times.

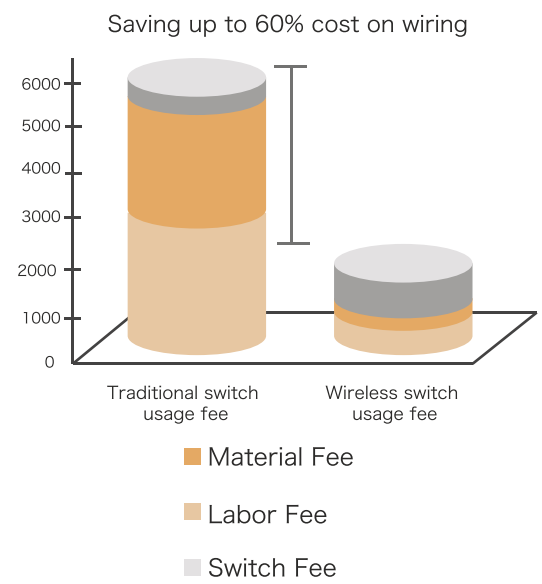
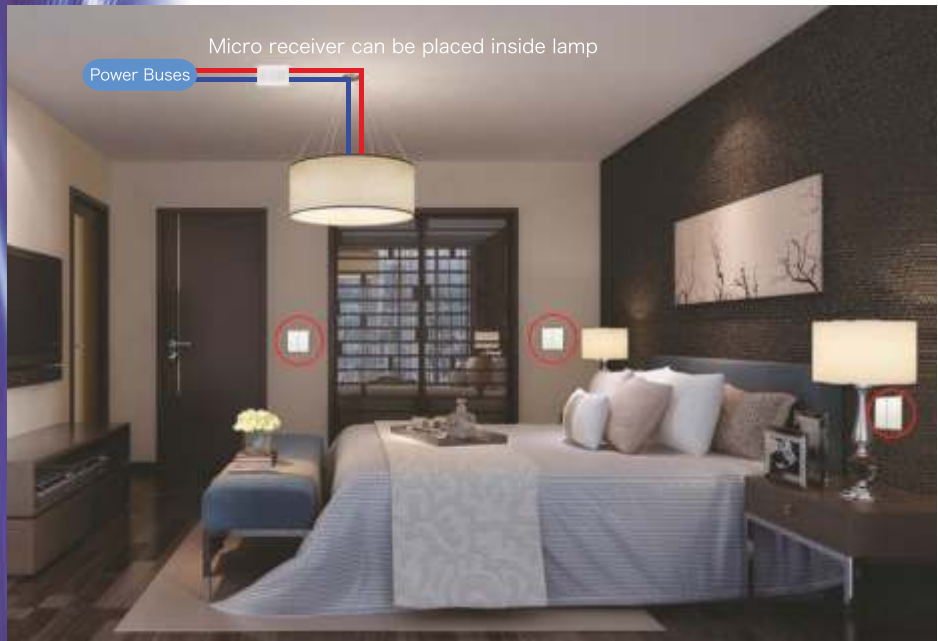




Kinetic Wireless Switch & Controller

Quinetic Switch Advantages

Cost Saving - It reduces labour, reduces construction costs by up to 30% and speeds up the installation of any new light or load.



Limitless applications - fast installation in any location, easily place the switch on any surface such as glass, marble, wood and metal.



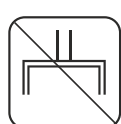
Self Powered



No Radiation



No Maintenance



No Wiring to Switch



Durable



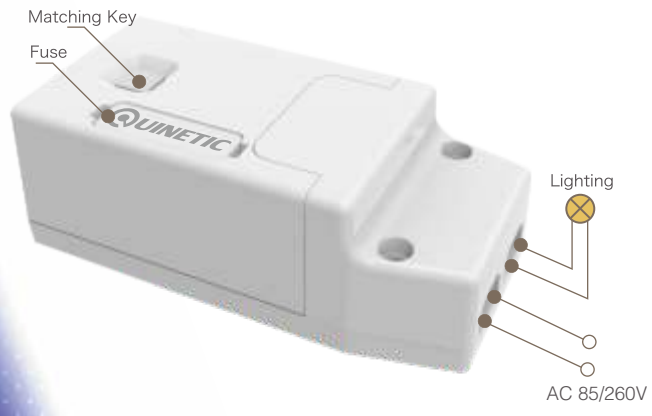
Cost Saving



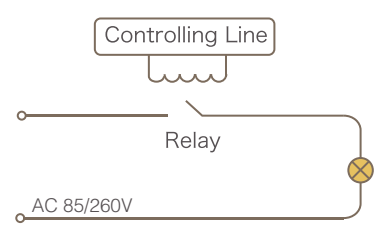
Kinetic Wireless Controller

The Quinetic wireless controller with a high-efficiency switching power supply has a wide voltage range with excellent stability and durability. The controller has a load capacity of 6A or 16A depending on the model. The Quinetic wireless controller is equipped with an in-rush current suppression function thus creating a safe and durable product.

In order to prevent accidental short-circuit the controller is designed with a replaceable fuse. Even if a short-circuit occurs the fuse will immediately protect the controller from damage.



Line Diagram

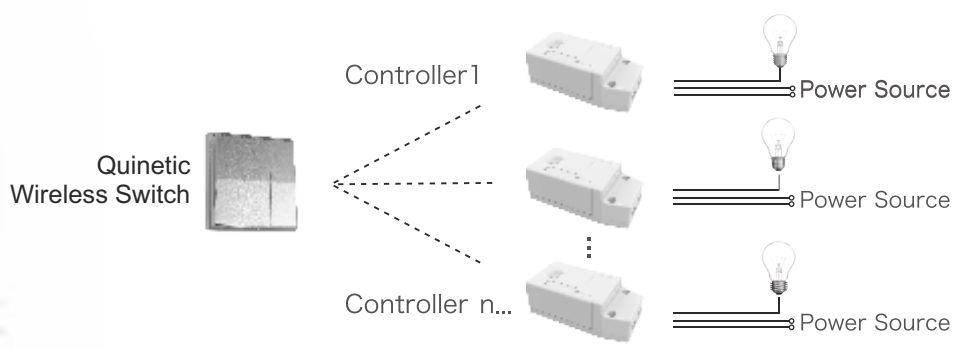


Quinetic Controller Wireless Systems

The wireless Quinetic energy switch and wireless receiving controller can be paired with any combination: a controller can be controlled by a maximum of 10 separate switches, a switch can pair an unlimited number of controllers.

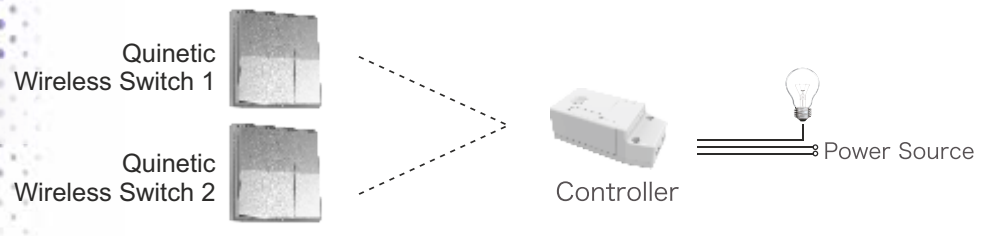
1-Way Wireless System

Single-Multi-Control



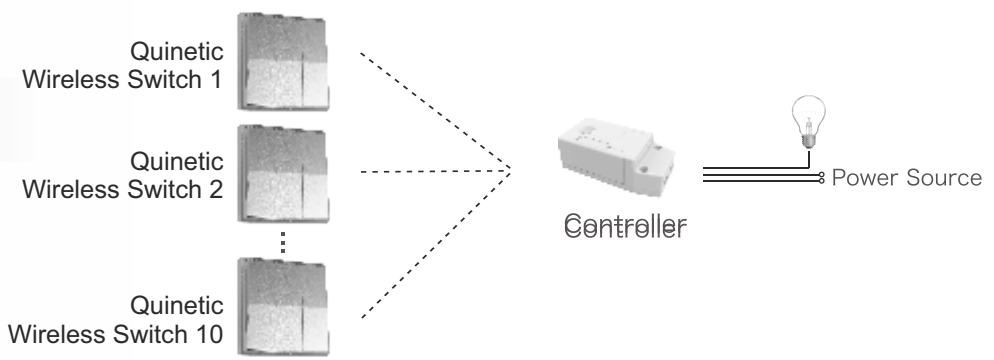
2-Way Wireless System

Dual Control



3-Way Wireless System

Multi-Single-Control



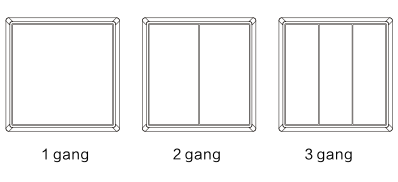


Kinetic Wireless Switch & Controller

Specifications:



Wireless Switch Specifications:



Colours:



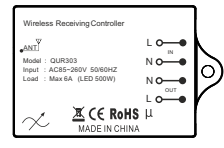
Wireless Receiver & Controller With high reliability

- Can stand 380V AC electric current for 24 hours, over voltage (<600V) will not damage it.
- Max control load - see controller specifications.
- Advanced RF technology, multiple algorithm ensures telecommunication stability.
- For each press and radio transmission, the channel is occupied by the wireless signal for only 1 millisecond, and each transmission is done with 3 septal frames; the control is stable and reliable.
- 32 bit device ID, 4 billion keys, chance of miss control is extremely low.

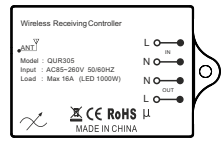


Wireless Controller Specifications:

Model: QUR303
Input: AC85-260V 50/60HZ
Load: Max 6A (LED 500W)



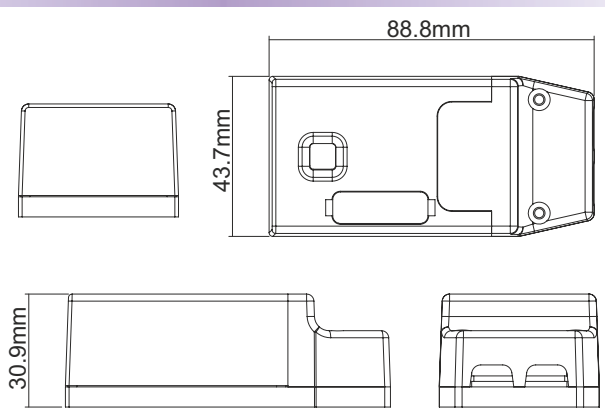
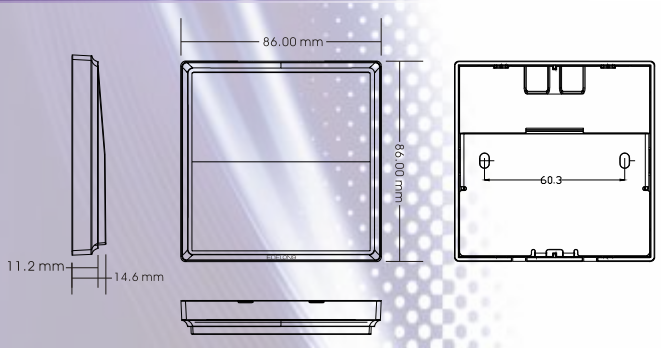
Model: QUR305
Input: AC85-260V 50/60HZ
Load: Max 16A (LED 1000W)



Basic Control Model:



Product dimensions:



Quinetic Wireless Switch Specifications:

Work type	86 size rocker type
Power Source	Micro Energy Acquisition and self-powered
Communication Model	FSK
Work Frequency	433MHz
Keys	1-3
Life Time	200,000 times on/off
Outline Dimensions	L86mm x W86mm x h14.5mm
Weight	85g-110g
Control Distance	160m (outdoor) ; 30m (indoor)
Control Method:	Pairing with Quinetic Wireless Controller QUR303/304

Quinetic Wireless Controller Specifications:

Power Supply Type	AC85V - 260V, 50/60Hz
Voltage Range	85V - 260V
Sensitivity	-116dB
QUR 303 - Control Load - 6A Fused	
	Max load for LED Lighting - 500w & 1100 watts for other loads. *
QUR 305 - Control Load - 16A Fused	
	Max load for LED Lighting - 1000w & 3kW for other loads. *
Outer Shell Material	DOW PC (fire)V-0
Weight	25g
Life Time	200,000 times on/off
Work Environment Temperature	-30~55°C
Control Distance	160m (outdoor) ; 30m (indoor)
CE certificate	CELVD:SGS LVD GZES 1407007368LM
Control Method:	Pairing with Quinetic Wireless Switch

*Maximum loads may vary from manufacturer to manufacturer of the load.