

KAUDEN™

Item Code – LZC6/100

Box Quantity 100

Item Code – LZC6/10

Bag Quantity 10

KAUDEN™ RJ45 CAT6 Pass Through Plug – For solid/stranded wire



- RJ45 Pass-Through plugs allow visual inspection before crimping. A special tool is used. Compatible with all Brands of Pass Through Crimping Tools
- Suitable for both solid and stranded cable due to 3 prong pin layouts (see image above)
- 1.1mm entry holes for inner conductors and offset, 4 up 4 down, for higher performance
- Crystal finish PC UL94V2 Rated Flame Retardant body with 50 Micron Gold Plated pins
- Professional Plug tool is available -XT499 Item Code. Flush Boot Item Code-UK45Z60

The generic name for these plugs is known as “RJ45 Pass-Through Plug” but are also called EZ Plugs*. KAUDEN plugs are a high quality plug using Japanese Tenjin “Crystal” PC material and engineered for precision that helps prevent errors at the crimp cutting stage that is commonly found on unbranded plugs. Precision is paramount with these connectors.

The main idea is that an RJ45 Connector is dressed up with the wires hanging out as per the image shown above and a special tool Crimps and Cuts the wires flush with the end of the plug at the same time. CAT6 Plugs have offset pin holes, 4up 4 down for reasons of performance.

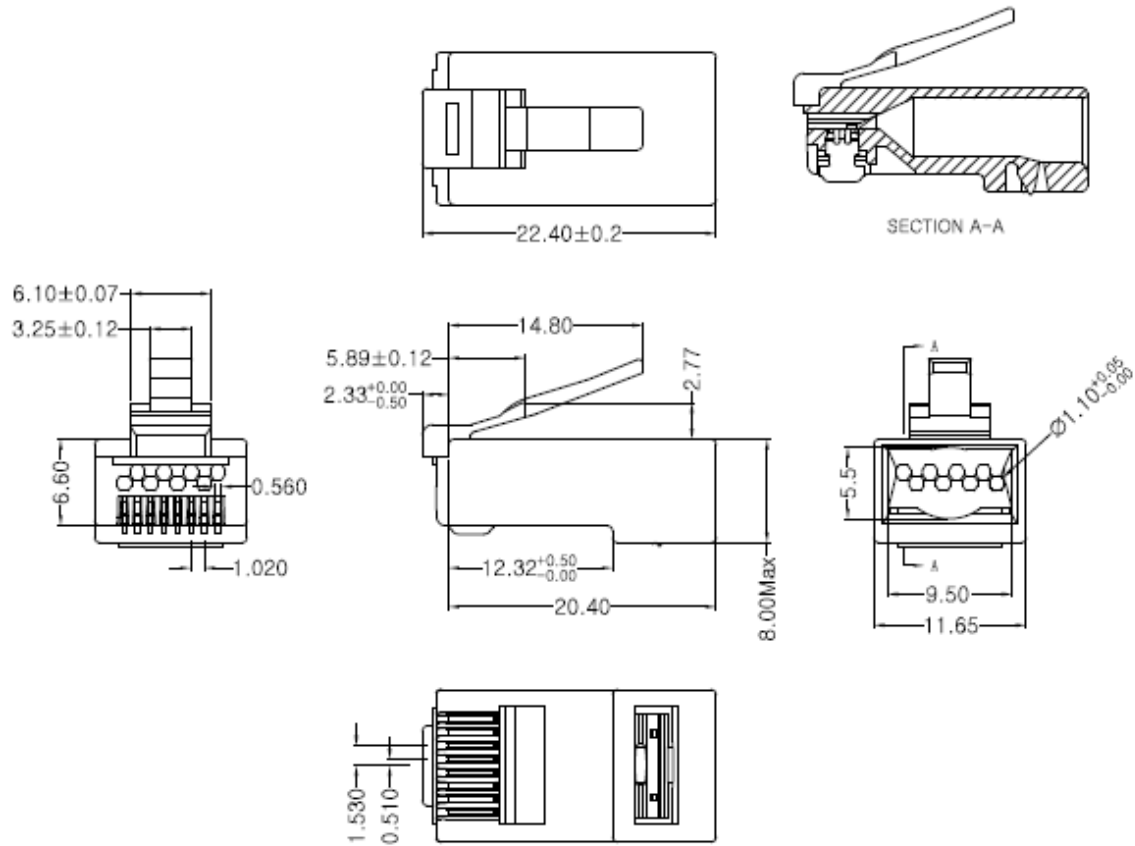
KAUDEN plugs have what is termed a “Crystal” finish in the plug world whereas poor quality plugs can sometime appear to have a cloudy plastic finish.

The EZ Plug Trademark is used for suitability and/or comparison purposes only and is the property of the respective owners and not connected with KAUDEN.

General	LZC6/100	LZC6/10
Sale Unit	Color box 100 plugs	Polybag 10 plugs
Barcode	5028088001905	5028088001912
Weight Packed	0.170 Kg	0.015 kg
Dimension Packed	70x68x140 mm	130x80x10mm
	Height Width Depth	Height Width Depth
Commodity Code	853670099	

Technical

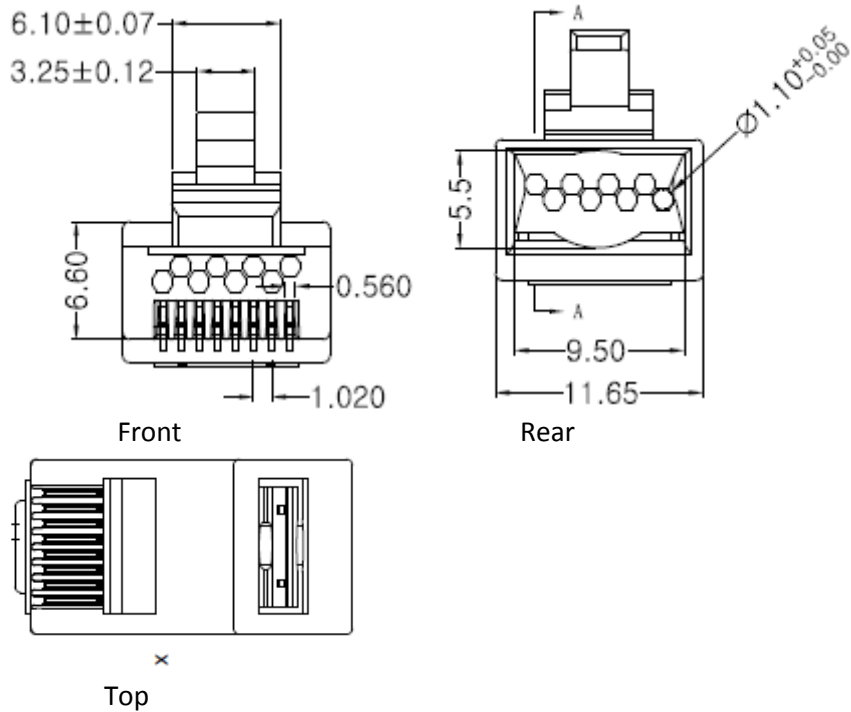
1. Operation Temperature: $-40^{\circ}\text{C} \sim +85^{\circ}\text{C}$.
2. Electrical Characteristics:
 - 2.1>Rated Current: 125V AC, 1.5A@25°C.
 - 2.2>Contact Resistance: 20mΩ Max.
 - 2.3>Insulation Resistance: 500MΩ Min, 100V DC/min.
 - 2.4>Voltage Proof: 1000V AC/1 minute no breakdown.
3. Mechanical Characteristics:
 - 3.1>Insertion Force & Withdrawal Force: 30N Max.
 - 3.2>Durability: 750 cycles Min.
4. Environmental compliance:
 - 4.1>the products are compliant with the RoHS, and REACH etc.



Further Notes

Item Code LZC6 used on CAT6 23 AWG

This is our high end CAT6 plug and has 1.1mm holes configured in an offset 4up 4down configuration .



Notes on Hole configuration

- For CAT6 The holes should be offset and usually 4up 4down so as to provide less interference between cores and the optimum performance is attained.

The cable conductors once aligned are easily pushed into the entry/exit holes due to internal guide design inside the plug

