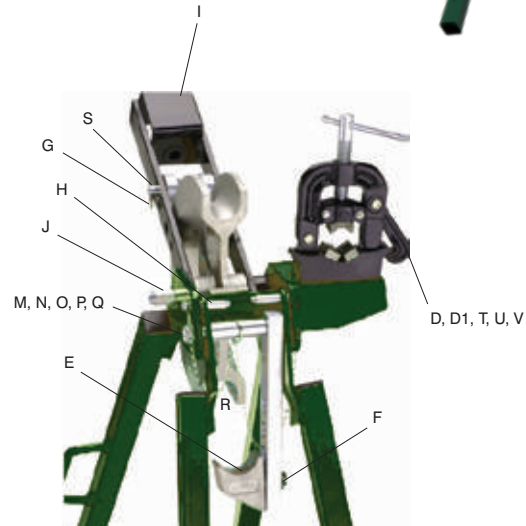
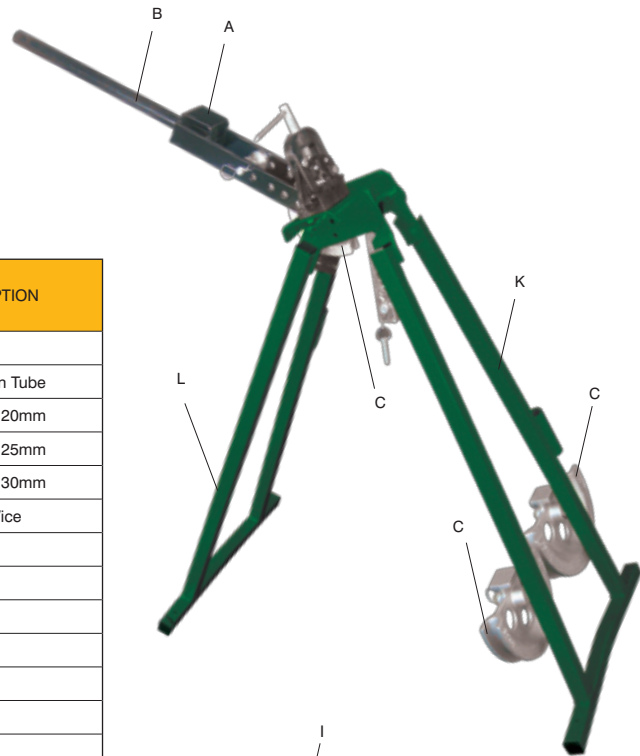


# Xiphos™

## Parts List

REF.	Xiphos™ PART NUMBER	DESCRIPTION
A		Bending Lever
B		Handle Extension Tube
C	BENF20	Bending Former 20mm
C	BENF25	Bending Former 25mm
C	BENF30	Bending Former 30mm
D	BENPV	Complete Pipe Vice
D1	BENJAW	Vice Jaw S
E		Stop Block
F	BENSB	Stop Block Bar
G		Cotter Pin
H		Pivot Pin
I	BENGR	Grooved Roller
J	BENCP	Centre Pin
K		Support
L		Main Body
M		Special Bolt
N		Flat Washer 12mm
O		Inside Spacer Sleeve
P		Lock Nut M12-1.75
Q	BENSP	Chain with Ring
R		Grooved Roller Pin
S		Hexagon Bolt M8-1.25:25
T		Flat Washer 8mm
U		Hexagon Nut M8-1.25



# Xiphos™

## Conduit Bending Machine and accessories

- Tough, stable frame.
- Range of quality accessories
- Market-leading jaw design
- Strong and attractive packaging for easy storage & distribution
- Includes 20mm, 25mm & 32mm formers.



# Xiphos™ Conduit Bending Machine

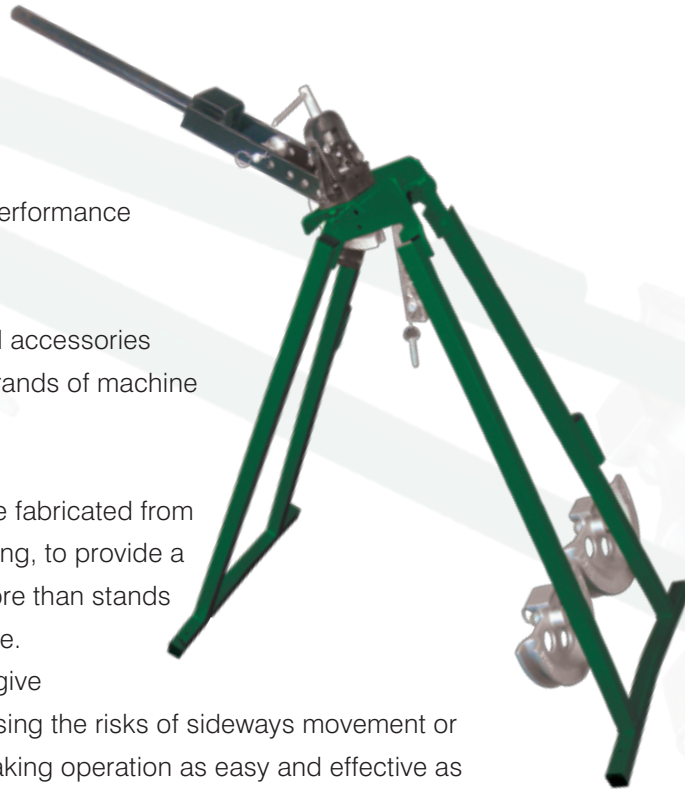
- High build quality and performance
- Competitive prices
- Improved features
- Full range of spares and accessories
- compatible with other brands of machine

Our bending machines are fabricated from 30mm square section tubing, to provide a rock solid frame which more than stands up to the rigors of daily use.

The frame is designed to give maximum stability, minimising the risks of sideways movement or skidding across floors, making operation as easy and effective as possible.

The formers - which are key to creating a perfect bend - are machined, cast aluminium. This means they create a superior and highly accurate bend, as the machined area provides a perfect profile to support the pipe, gives excellent contact and there is virtually no movement.

Xiphos Benders are superior to most other brands, who tend to use non-machined die casts.



# Xiphos™ Accessories



BEN-PV  
2" / 50mm Pipe Vice  
Also fits HILMORE EL25, EL32



BEN-GR  
Grooved Roller  
Also fits HILMORE EL25, EL32



BES-P  
Safety Chain Assembly  
Also fits HILMORE EL25, EL32, CM35 & CM42



BEN-F20  
Bending Former 20mm  
Also fits HILMORE EL25



BEN-F25  
Bending Former 25mm  
Also fits HILMORE EL25



BEN-TS  
Tube Stop and Clip  
Also fits HILMORE EL25, EL32, CM35 & CM42



BEN-JAW  
Pipe Vice Jaw Set  
Also fits HILMORE EL25, EL32,  
CM35 & 32mm



DIE  
Stock & Dies Set  
Sizes: 20mm, 25mm



BEN-SB  
Stop Block Bar  
Also fits HILMORE EL25, EL32



BEN-CP  
Centre Pin  
Also fits HILMORE EL25, EL32,  
CM35 & CM42