



Read these instructions before commencing installation. Please give these instructions to the owner/occupier after installation to retain for future reference/maintenance.

IP23 0.5m 240V~50Hz 46W

These fittings are Class I and must be Earthed

Important Information

It is recommended that these luminaires are installed and fitted by a qualified electrician ensuring the installation complies with current IEE wiring regulations & local building control. These products are designed for connection to a 240V~50Hz supply. Any faulty, broken or damaged luminaires should be replaced immediately. TLC will not accept responsibility for any claims arising from a poor installation. Please Note: The limited warranty shall be deemed null and void in the following circumstances: Failure by the installer, end user or any third party to exercise caution to protect any covered product or part from outside damage, humidity conditions, fluctuations in the electrical system or physical abuse as well as failure related to workmanship in the installation of the products or parts.

Important User Advice

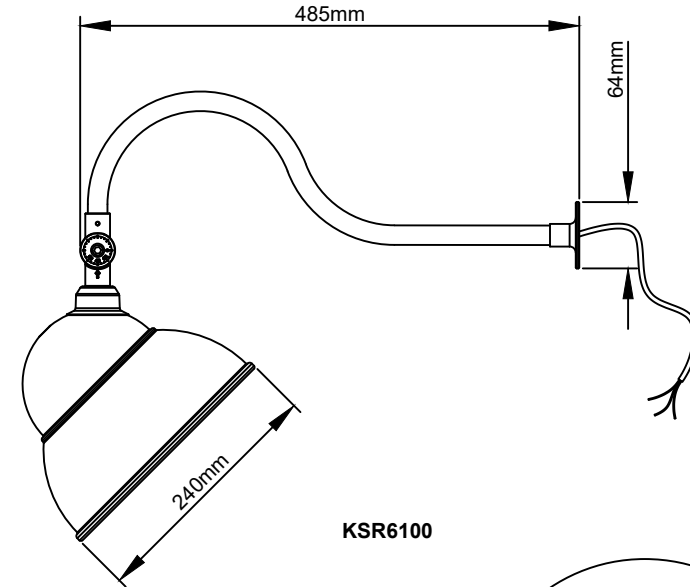
Always switch off mains supply before servicing, lamp changes and maintenance. Please ensure that a suitable maintenance schedule is performed including greasing all moving parts and protection from exposure to natural elements in the form of a non-abrasive cleaner/water repellent protection to ensure the product gives you a long lasting trouble free life.

Installation Procedure

These sign lights are suitable for besa box mounting.

1. Safely isolate the mains supply.
2. Mark the position of the fixings on the wall, avoiding any wiring in the wall.
3. Drill and prepare the holes for the screws (Not Supplied) ensuring that the fixings are into solid material.
4. Fit Rawl - Plugs if required (Do not put screws directly into plasterboard - Always use the appropriate fixings).
5. Support luminaire whilst making connections. Always avoid straining cables.
6. Prepare supply cables as follows:
 - i) Remove insulation from the L/N/E connections following the connectors instructions.
 - ii) Connect the wires to luminaire using a suitable connector (Not Supplied).
 - iii) Connect the live supply (L) Brown to the Brown lead, connect the Neutral (N) Blue to the Blue lead and connect the Earth (E) Green / Yellow to the Green / Yellow lead on the luminaire.
6. When carrying out the connection procedure always ensure all terminations are fully tightened and no loose strands of wire are present.
7. If required insulate the connector by wrapping two layers of good quality insulating tape completely around the connector leaving no surfaces uncovered.
8. Secure the luminaire to the wall using appropriate fixings. Take care not to damage or trap any of the wiring or leave any wires exposed.
9. Never exceed wattage shown on luminaire.
10. When fixing, do not rotate fitting any more than 10°
11. Adjust head angle, grease and tighten hex bolt. Ensuring the angle will not allow water to enter the cowl.
12. Turn on mains supply and test.
13. **Do Not** expose luminaire to areas where high pollution and saline maybe present.

Available finishes:- Black or Brass



KSR6100



Lamp Details

Lamp Cap: E27 GLS
Wattage: 46W (max)

