

Installation Sheet



10W Mini Track Light
5CCT Changeable Dimmable



190-260V 10W

Please read these instructions before commencing installation & retain them for future reference.

Important information

It is recommended that the fittings are installed by a qualified electrician ensuring the installation complies to current IEE wiring regulations & local building control.

- These products are designed for connection to a 190-260V mains supply.
- We cannot accept responsibility for any claims arising from a poor installation.

Important User Advice

- Always switch off mains supply before installation.
- The fitting is suitable for indoor use only.

Installation Procedure

Ensure that the track is wired correctly and fixed to its mounting surface in accordance with installation instructions.

The track adapter supplied with the fitting is suitable for single circuit track.

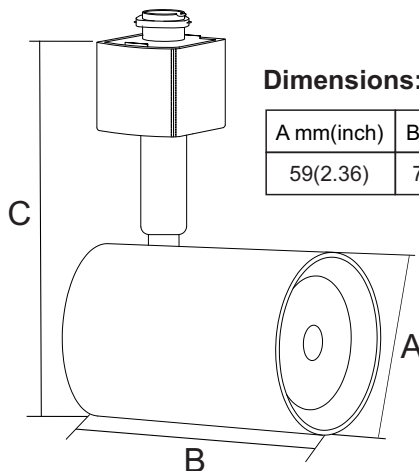
LEDLITE track fittings are compatible with TLC tracks: IL T4WH GL 4W/B/SG

IL T8WH GL 8W/B

IL T12WH

Specifications:

Model	LTTLM10
Power(W)	10W
Voltage	AC 190-260V
Power Factor	>0.9
Lumen Efficiency	75Lm/W
Lumen Output	600-750lm
CRI	>80
CCT	5 CCT
IP Protection	IP20
Beam Angle	15°
Working Temp.	-35° ~ +40°C
Body Colour	Black / White
Size(mm)	59*73.5*143

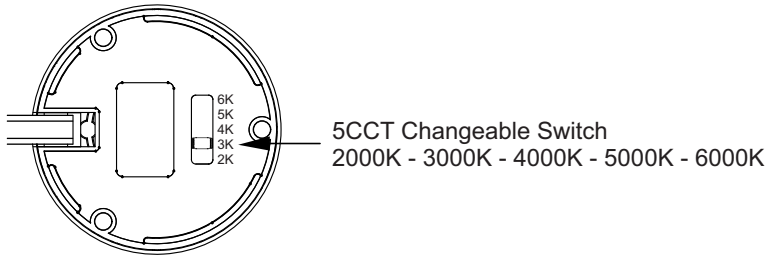


Dimensions:

A mm(inch)	B mm(inch)	C mm(inch)
59(2.36)	73.5(2.95)	126(4.96)

Fixture Installation:

1. Select the CCT colour temperature using the switch on the back of the fitting (**Fig. 1**).



2. Note the track has a groove running its length to indicate polarity (**Fig. 2**).

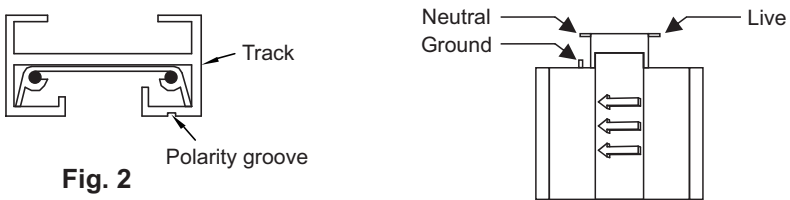


Fig. 2

3. Insert adapter into the track slot (**Fig. 3**), compressing the spring loaded tab downward.

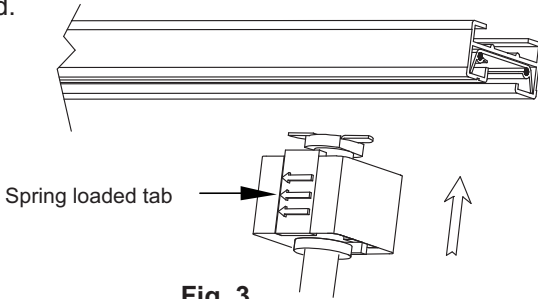


Fig. 3

4. Rotate the track adapter 90°. The arrows should point to the grooved side of the track (**Fig. 4**). Make sure the locking tab seats in the track slot.

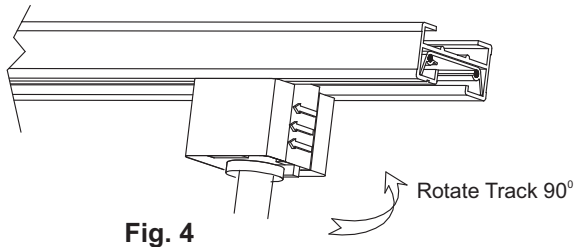


Fig. 4

5. Track heads may be positioned anywhere along the track length. Aim the fixture to your desired position. Fixture adjusts 350° horizontal and 180° vertical.