

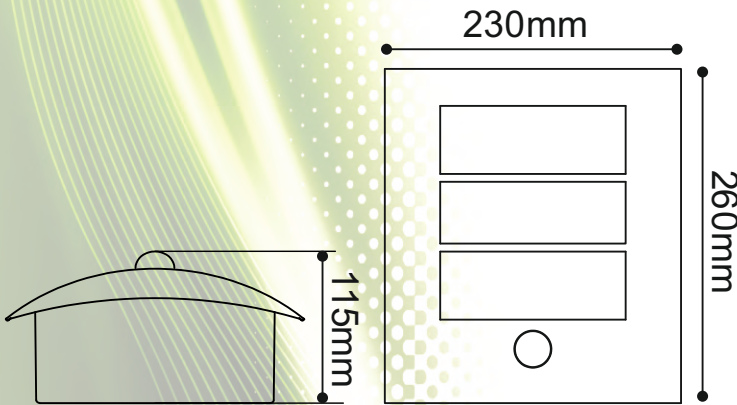
LED LITE™
Energy Saving LED

LTSSWL1PIR

60W Stainless Steel PIR Wall Light



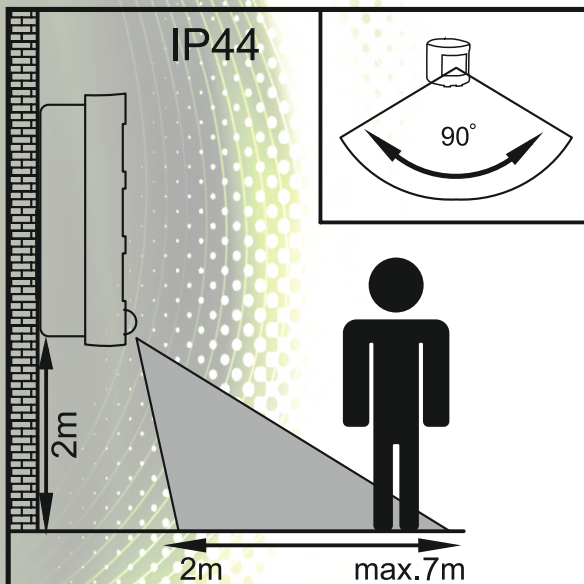
Dimensions (mm):



Specifications:

- Voltage: 220-240V/AC
- Frequency: 50/60Hz
- Max Load (ES/E27 Lampholder):
 - Incandescent: 60W
 - Fluorescent: 20W CFL
 - LED: 3-10W
- IP Rating: IP44
- Detection Angle: <math><90^\circ</math>
- Detection Range: 7m (Max)
- Time setting - min: 10sec \pm 3sec
 - max: 5min \pm 1min
- Lux Level: Dusk to Dawn (adjustable)
- Installation height: 1.5m~2.5m

PIR Specifications:



IP44

**230V
50Hz**

**60W
max.**

