

Knightsbridge

These instructions should be read carefully and retained after installation by the end user for future reference and maintenance.

SAFETY

- This product must be installed in accordance with the latest edition of the IEE Wiring Regulations (BS7671) and current Building Regulations. If in any doubt, consult a qualified electrician.
- Please isolate mains prior to installation or maintenance.
- Check the total load on the circuit including when this product is fitted does not exceed the rating of the circuit cable, fuse or circuit breaker.
- Do not overload this accessory or subject it to conditions outside its rating.
- Please note the IP (Degree Protection) rating of this product when deciding the location for installation.
- This product is for indoor use only.

WARRANTY Knightsbridge Wiring Accessories have a warranty of 25 years for mechanical operation from date of purchase with the exception of products containing electronic components such as dimmers and USB chargers, which have a 2-year warranty. Failure to install this product in accordance with the current edition of the IEE Wiring Regulations (BS7671), improper use, or removal of the back cover will invalidate the warranty. If this product should fail within its warranty period, it should be returned to the place of purchase for a free of charge replacement. ML Accessories does not accept responsibility for any installation costs associated with the replacement product. Your statutory rights are not affected. ML Accessories reserve the right to alter product specification without prior notice.

Supplied By:
ML Accessories Ltd, Unit E
Chiltern Park,
Boscombe Road, Dunstable, LUS 4LT,
www.mlaccessories.co.uk

(EU) SILV Lighting Group, Daimlerstraße 21-23,
52535 Libach-Palmborg, Germany
Email: core@silv.com

Made in China

DCAUG22_V3

INSTALLATION

- Connect the accessory as per the diagram in this manual, ensuring the correct polarity is observed (terminal positions may vary).
- L - LIVE - Brown
- N - NEUTRAL - Blue
- EARTH - Green and yellow
- All earth connections must be made and maintained. Use green/yellow sleeving on earth conductors that are not insulated.
- Check all electrical connections are secure with all exposed copper within the terminal and no loose strands of cable. If using the flex outlet, secure the flex with the cord grip provided.
- Fit the unit into a suitable wall box taking care not to compress, damage or trap any cables, and secure with the screws provided. If using metal mounting boxes with four legs, remove the top and bottom legs or bend fully back.

FLAT PLATE, SCREWLESS AND RACKED EDGE FIXING

- Always ensure the wall surface is flat and smooth.
- This unit is fitted with a gasket - this MUST NOT be removed, this gasket is to stop discoloration of the plate due to natural moisture in some wall finishes.
- This product must be fitted only after painting and decorating is complete.
- Switches products only - remove the front plate by placing a medium size flat-head screwdriver in the notch at the side and lever off gently. After wiring and fitting to the wall box as per the instructions in this document, clip the front plate onto the main assembly ensuring the screwdriver notch is at the side.

METAL CLAD FIXING

- Remove front facelate and mount rear box in a suitable location. The back box has multiple 20mm cable entry points to aid installation.
- Wire as per the instructions in this document, and fix plate to back box using the screws provided.

OUTLETS WITH USB CHARGING FUNCTION

These products are designed for charging portable USB devices only, and contain a short circuit and overload protection feature. If there is no power from the USB socket supply the connected device. Check to ensure the USB socket and USB device have not come into contact with water, liquid or debris and the cable to the device is not damaged. With no device connected to the USB socket it will automatically reset and be ready for use.

WARNING!

This unit should NOT be subject to any insulation resistance testing, failure to follow this instruction could cause damage to the USB circuit and void the warranty.

GENERAL

This product should be recycled in the correct manner when it reaches the end of its life. Check local authorities for where facilities exist.

13A SOCKET WITH USB CHARGER

Clean with a soft dry cloth only, do not use aggressive cleaning products or solvents which may damage the product and invalidate the warranty.

13A SWITCHED SOCKET

13A SOCKET WITH QUAD USB CHARGER / QUAD USB CHARGER

13A SOCKET WITH USB AND BLUETOOTH SPEAKER / STAND ALONE BLUETOOTH SPEAKER

BLUETOOTH AUDIO SPECIFICATION

- Output Power: Max. 3W RMS
- Sensitivity: 1.0V 380mV
- SNR: -85dB
- Speaker Frequency Range: 200Hz - 16kHz

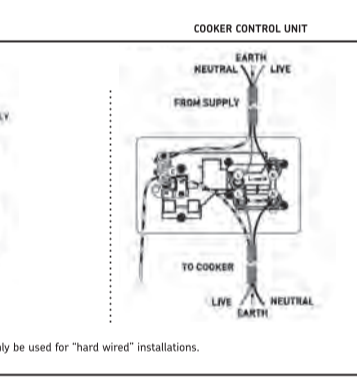
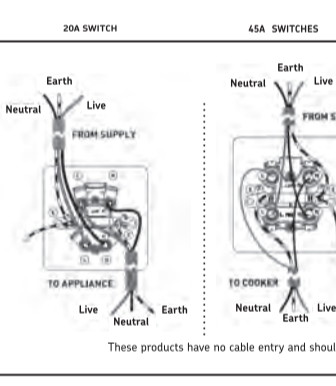
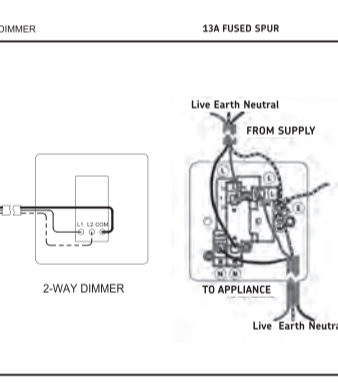
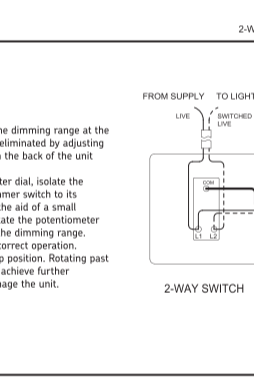
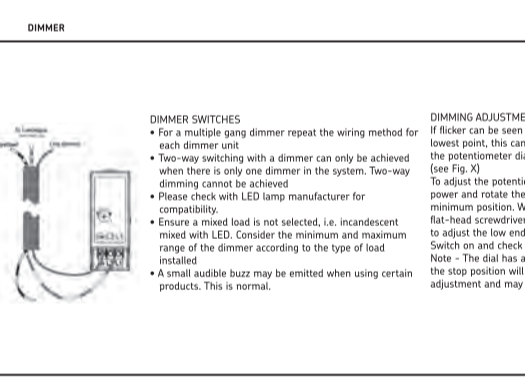
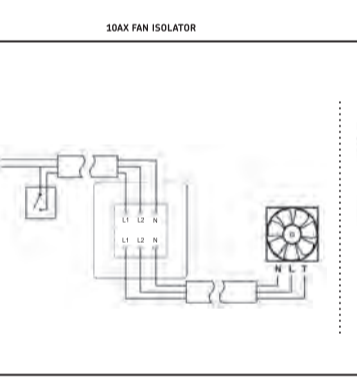
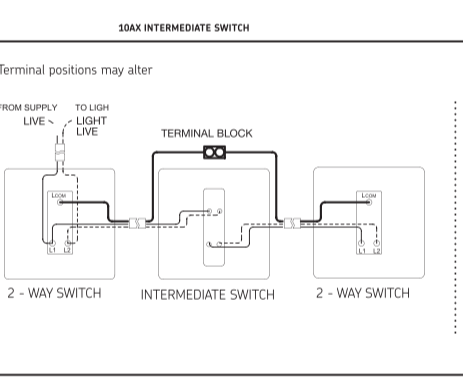
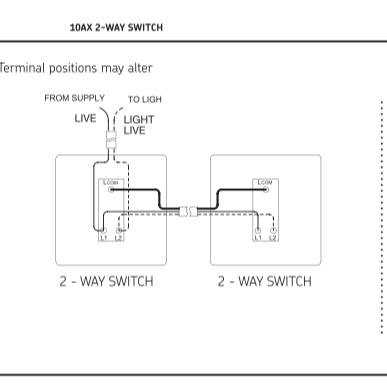
BLUETOOTH CONNECTION

- Press the power button directly under the speaker.
- Bluetooth indicator will begin to flash.
- Activate Bluetooth pairing on your mobile device and scan for Bluetooth device.
- Connect to the device named: SPEAKER, SPEAKER1, SPEAKER2, etc.
- Once a connection has been established you will hear a "beep" sound and the Bluetooth indicator will flash at a different frequency to confirm.

DUAL VOLTAGE SHAVER SOCKET

1A UNSWITCHED ROUND PIN SOCKET

ML Accessories Limited Unit E, Chiltern Park, Boscombe Road, Dunstable, LUS 4LT www.mlaccessories.co.uk



These products have no cable entry and should only be used for "hard wired" installations.