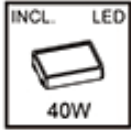
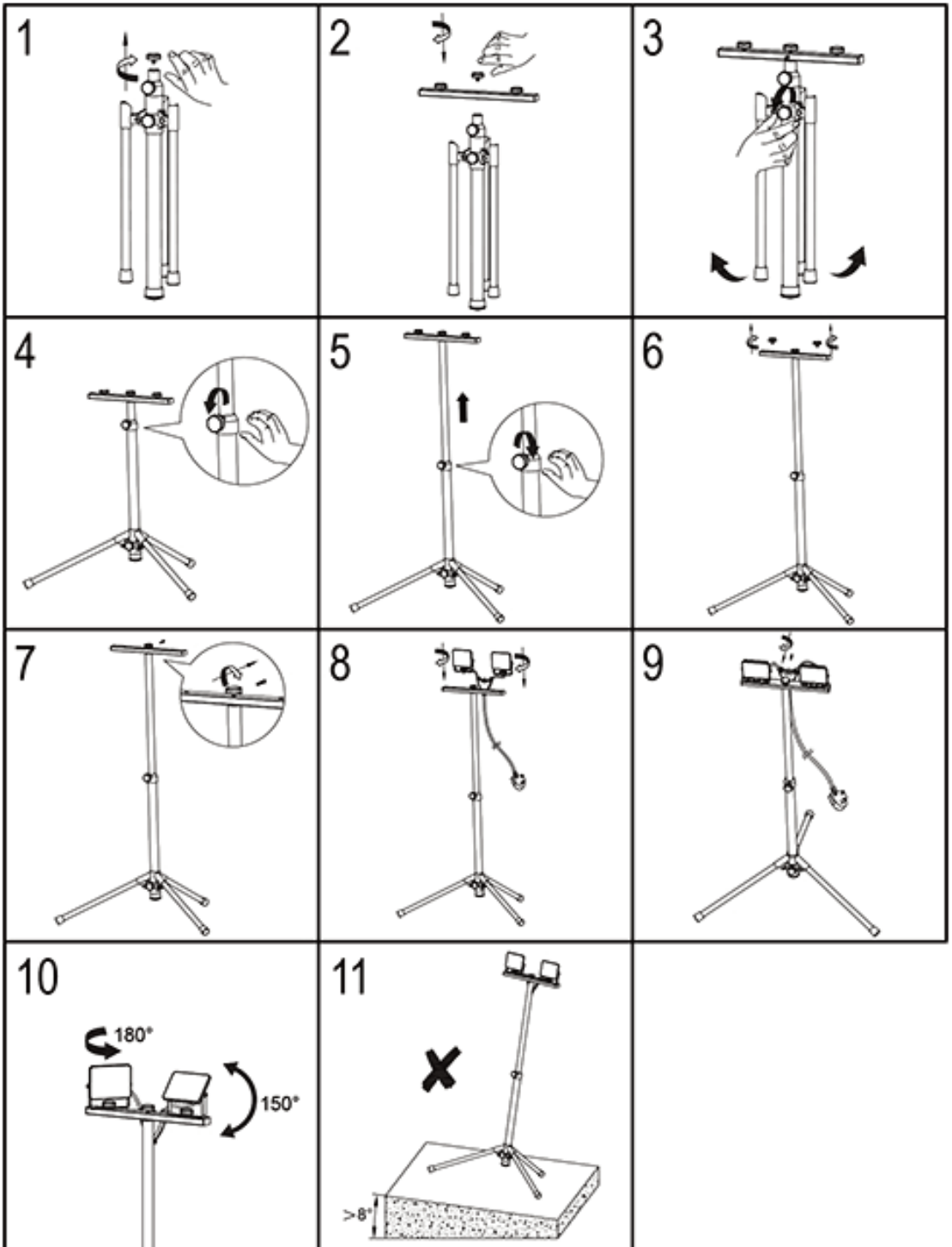


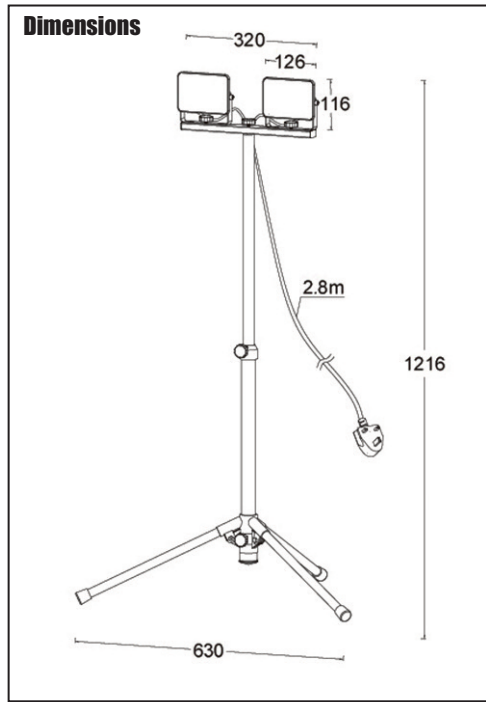
### IMPORTANT

This product should be installed by a competent person and in accordance with the current IET Wiring Regulations.  
If in doubt, consult a qualified electrician.



### INSTALLATION & OPERATION





### TECHNICAL INFORMATION

Rated voltage:	230 - 240V AC ~ 50/60Hz
Wattage:	2 x 20W
Lumens:	3200
IP Rating:	IP65
Colour Temperature:	5,000K
Class Type:	I
No of LED's:	56
CRI:	80
Housing:	Heavy Duty Aluminium body & Tempered glass diffuser
Conforms To:	BS EN 60598

**GUARANTEE**  
 Your GreenBrook Tripod Fitting  
 is guaranteed for 5 years from  
 the date of purchase.  
 This is in addition to your statutory rights.

*Please keep these instructions for future reference.*

**INSTALLER** - Please pass instruction manual onto the owner of the unit.

**GREEN  
BROOK**  
 ELECTRICAL  
 WEST ROAD . HARLOW  
 ESSEX . CM20 2BG . UK  
 info@greenbrook.co.uk  
 www.greenbrook.co.uk