

# The One & Only Range of Fire & Acoustic Rated Metal Dry Lining Back Boxes

1 gang and 2 gang boxes in both 35mm and 47mm depths

**As simple to install as a standard cavity wall box!**

- **No additional components to purchase or install.**
- **Simple and quick to install saving time and money.**
- **Unique spring loaded lugs.**
- **Substantial amount of cable entries.**
- **Earth terminal fitted.**

Building Regulations are becoming more stringent in today's modern world, with alternative building materials and products being developed with improved safety in mind.

CLICK's range of FlameGuard downlighters have highlighted this and become market leaders since their launch in January 2005.

Based upon our development and test work carried out with the original FLAMEGUARD downlighters it very quickly became apparent that standard PVC, polycarbonate or urea materials could not tolerate the high temperatures encountered in a major fire. A durable all metal construction was therefore chosen.

**FlameGuard back boxes have been tested and conform to both fire and acoustic BS EN standards**

Fire: BS EN 1363-1: 1999 & BS EN 1364-1: 1999

Acoustic: BS EN ISO 140-3: 1995 & BS EN ISO 717-1: 1997

**Complies with Building Regulations**

Part B (Fire Safety)

Part E (Resistance to the Passage of Sound)

Fire tested up to 90 minutes with the capability of the boxes being mounted back to back.

**With potential fire temperatures in excess of 1000°C, the use of metal in the FlameGuard design helps maintain its position within the wall until the wall loses its structural integrity.**

After 15 minutes at 750°C

After 30 minutes at 850°C

**Images from  
fire testing**



“The FlameGuard intumescent seal, when exposed to fire, forms a dense carbon char which separates and insulates the substrate from the heat of the fire. The expanded seal eliminates the flow of air through the void and thereby starves the fire of vital elements for combustion.”

The fire & sound integrity is not impaired when the FlameGuard back boxes are installed back to back.



## Why compromise?

- Fully
- Tested
  - Approved
  - Functional
  - Flexible

The intumescent layer within the box starts to expand at 190 degrees Celsius and continues to expand as the temperature increases filling the metal box cavity.

## Simplicity in its design!

The spring loaded fixing lugs are retracted in preparation for box installation. With the box in position the fixing lugs are released, locking the box in place in readiness for the installation of the appropriate accessory. The fire and acoustic integrity of the wall has now been restored.



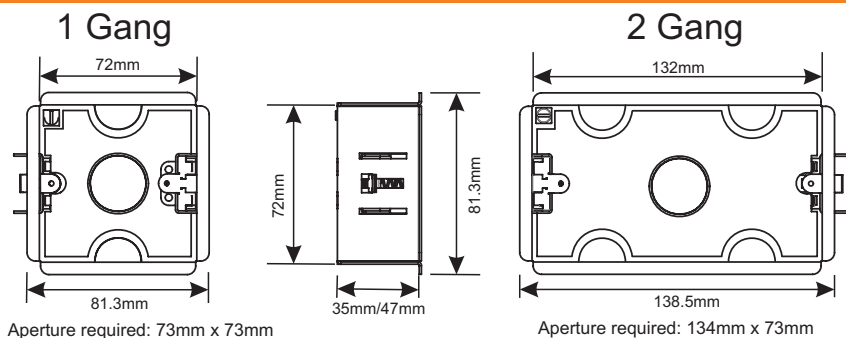
Fixing lug retracted



Fixing lug locked in position

Copies of all the test data are available on request.

### Product & Aperture Dimensions



### Product Details

Code	Description
WA4135	1 gang 35mm deep
WA4235	2 gang 35mm deep
WA4147	1 gang 47mm deep
WA4247	2 gang 47mm deep