

## FX20VE / FX20EIPX4 Downflow Fan



### Technical Details

|                        |  |
|------------------------|--|
| <b>Controls</b>        | Factory-set 30 minute activation, activated and deactivated by pull cord.  |
| <b>Construction</b>    | Durable insulated plastic case. Moulded in flame retardant self extinguishing grade nylon  |
| <b>Element</b>         | 2kW stitched type with thermal fuse protection   |
| <b>Installation</b>    | Two upper keyhole slots are provided together with a third fixing hole to secure the heater to the wall. Supplied without cable  |
| <b>Safety</b>          | Each product is fitted with an electrical reset cut-out, a non-resettable thermal fuse and now feature a resettable over heat detection electronic temperature limiter |
| <b>Battery Backup</b>  | None   |
| <b>Supply</b>          | 3 core for fused spur installation 1/N/PE -230-240 V 50 Hz Class I, with earth wire  |
| <b>Colour / Finish</b> | White plastic case   |

| Mode/Item No.(EAN-Code 5011139+Item No.) | 016270 | 032812    |
|--|--------|-----------|
|  | FX20VE | FX20EIPX4 |
| Output (kW)                              | 1/2    | 1/2       |
| Height (mm)                              | 242    | 267       |
| Width (mm)                               | 229    | 252       |
| Depth (mm)                               | 226    | 132       |
| Weight (kg)                              | 1.1    | 1.4       |
| IP Rating                                | IP22   | IP24      |
| <b>Packaging Details</b>                 |        |           |
| Height (mm)                              | 260    | 275       |
| Width (mm)                               | 243    | 257       |
| Depth (mm)                               | 120    | 140       |
| Packed Weight (kg)                       | 1.3    | 1.6       |
| Ti                                       | 40     | 31        |
| Hi                                       | 8      | 5         |
| Pallet Quantity (2.4m high)              | 320    | 155       |

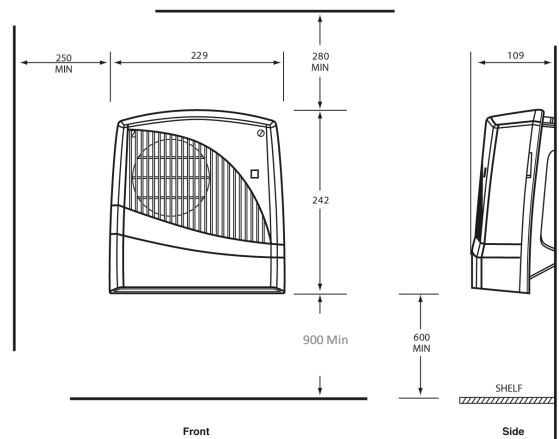
## Product Description

FX20VE and FX20EIPX4 are wall mounted fan heaters designed to forcibly blow the heated air down into the heating space to effectively circulate and rapidly heat the area for a 30 minute period. Both models feature pull cord activation with auto switch off (after 30 minutes) or deactivation by pull cord if required sooner

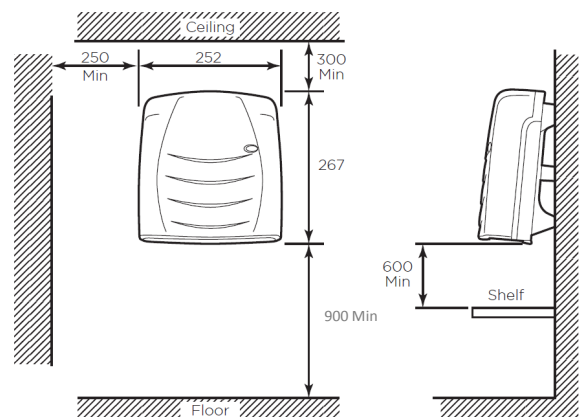
### Key Features

- Adjustable output at time of installation (1kW or 2kW)
- Factory-set 30 minute runback for ease of use and energy savings
- Pull cord operation
- Complies with Lot 20 of ERP directive

### FX20VE



### FX20EIPX4



## Warranty & Approvals

|                          |  |
|--------------------------|--|
| <b>Approvals</b>         | CE, BEAB   |
| <b>Warranty</b>          | 2 Years  |
| <b>Country of Origin</b> | Ireland  |
| <b>Manufacturer</b>      | Glen Dimplex Heating & Ventilation (GDC Group Ltd) |