

brennenstuhl®



DE	Bedienungsanleitung	2
GB	Instructions for use	3
FR	Mode d'emploi	4
NL	Bedieningshandleiding	5
SE	Bruksanvisning.....	6
ES	Manual de instrucciones	7
PL	Instrukcja obsługi	8
CZ	Návod k používání.....	9
TR	Kullanma kılavuzu	10
RU	Руководство по эксплуатации	11
SK	Návod na používanie	12

GB Instructions for use Automatic Cable Reel

Introduction

Please read these instructions in their entirety before commencing with the installation. Save these instructions and pass them on to third parties, as appropriate.

Scope of Delivery

Please check immediately after unpacking the goods whether the shipment is complete and the merchandise is in good condition.

1 automatic cable reel
2 wall anchors

Specifications

General

Operating voltage	230 V / 50 Hz
Child protection	yes
Overheating protection	yes
Pivotable	180°

Model KT A92 V315 DE

Total cable length	9 + 2 metres
Cable type	H05VV-F3G1,5
Max. load:	
Coiled	1,400 Watt
Uncoiled	2,000 Watt
Protection type	IP20

The automatic cable reel is suitable for use in dry interior rooms.

Model KT A92 N315 IP44 DE / BE

Total cable length	9 + 2 metres
--------------------	--------------

Model KT A162 N315 IP44 DE

Total cable length	16 + 2 metres
--------------------	---------------

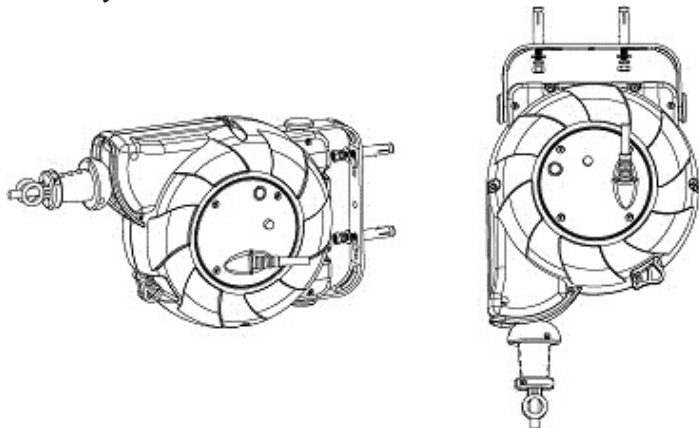
Model KT A92 N315 IP44 DE / BE

Model KT A162 N315 IP44 DE

Cable type	H07RN-F3G1,5
Max. load:	
Coiled	1,000 Watt
Uncoiled	3,500 Watt
Protection type	IP44

The automatic cable reel is suitable for permanent outdoor use.

Mounting



- The automatic cable reel features a holder with two mounting holes.
- Using the holder's mounting holes as guides, mark the location of the bore-holes for mounting.
- Drill the required holes.
- Use suitable mounting material (M 6 screws) to attach the automatic cable reel.

Operation

- Connect the plug of the automatic cable reel to a mains socket.
- Connect an appliance to the automatic cable reel's safety socket.
- The automatic cable reel features a cable management system with automatic rewind capability.
- The cable snaps in place after each half turn, and automatic rewinding stops.
- To coil up the cable, pull the cable until it releases from the locked position (makes no sound), then slowly let the cable rewind.
- **IMPORTANT:** The tractive forces are very high. Avoid uncontrolled rewinding of the cable. Hold the cable end and slowly guide it towards the automatic cable reel.

Overheating Protection

- The LED on the automatic cable reel lights up red to show that the overheating protection is working.
- The LED goes out when the overheating protection is triggered (56+/-5 °C).
- In that case the power plug must be disconnected.
- After a short cooling-off period, you can start using the automatic cable reel again by pressing the red button.

Safety Notes

- All installation and repair work must be carried out by a qualified technician.
- Make sure when changing lines that the shortest possible path is used to connect the L/N conductors to the clamps and that the earth wire is connected to the marked clamp and is at least 12 mm longer than the other L/N conductors.
- If necessary, the overheating protection must be replaced with a new component with the same rated values.
- The plugs must be disconnected from the outlet before the cable is coiled or uncoiled.
- Do not exceed the maximum load (see Specifications).

Maintenance / Cleaning

Important: Make sure the automatic cable reel is de-energised for cleaning. To de-energise the cable reel, disconnect the safety plug from the mains socket.

This product does not require servicing.

To clean the exterior of the automatic cable reel simply wipe with a clean, dry cloth. Make sure the automatic cable reel does not get wet.

Dispose of electrical devices in an environmentally responsible manner!



Do not dispose of electrical devices with household rubbish!

In accordance with Directive 2012/19/EC on waste electrical and electronic equipment, used electrical equipment must be collected separately and reused or recycled in an environmentally responsible manner.

Please contact your local authorities for available disposal options for your worn-out device.

Addresses

Hugo Brennenstuhl GmbH & Co. KG
Seestraße 1-3 · 72074 Tübingen · Germany

H. Brennenstuhl S.A.S. · F-67460 Souffelweyersheim

lectra-t ag · Blegistrasse 13 · CH-6340 Baar

www.brennenstuhl.com