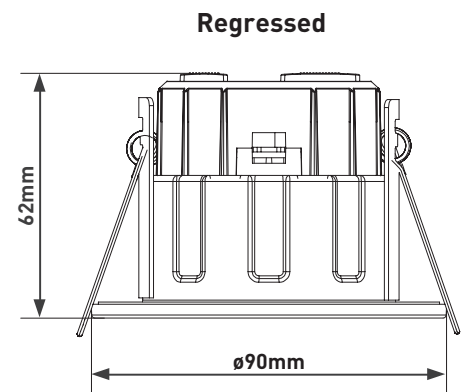
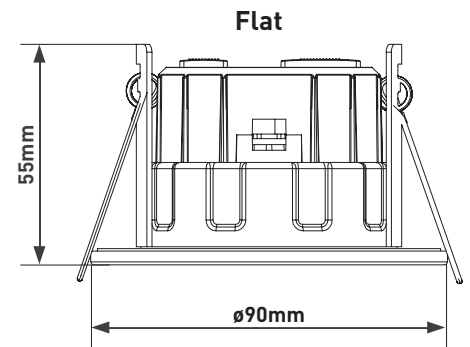
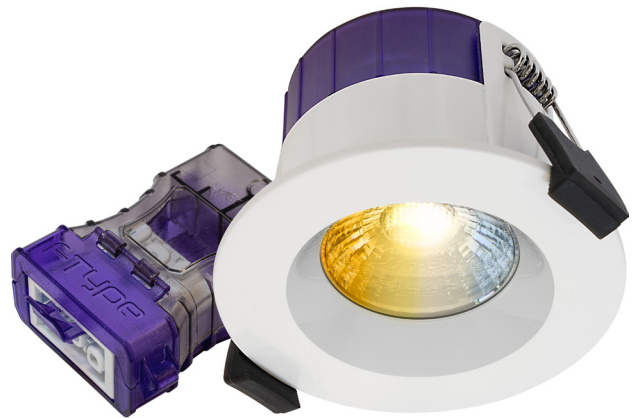


FType ULTRA POWER CHANGE 4W/6W & 4COLOUR CCT FIRE RATED DOWNLIGHT & CONNECTOR

Product Features

- Power Selectable 6W/4W & Colour Selectable 2700K/3000K/4000K/6000K.
- Choose the preferred colour temperature to suit your space. For example choose a warmer white (2700K/3000K) to create a more relaxed comfortable feel. Choose a cooler white (4000K/6000K) for rooms which are more task focused.
- Patent pending toolless Easy Access ClipFit connector with true 1st/2nd Fix installation. QuickView Cable Window - check wire connections after locking lid shut. UK Patent Pending No. 2305019.8.
- Removable VDE certified push-fit terminal block improves wire access – ideal with stiff cable. 18th edition 500V insulation resistance testing compatible.
- Supplied with removable Matt White slim bezel -ideal for when decorating and painting ceilings.
- Available in Flat & Regressed in Polished Chrome, Brushed Steel & Matt Black bezel finish.



4W & 6W LED	LED CHIP >160⁺ lumens per watt	Dimmable	60° Beam Angle	76^{lm} Cutout
30, 60, 90 MINS Fire Rated	I-JOIST COMPLIANT	ACOUSTIC PART E	AIR LEAKAGE PART C	IP65 Rating
INSULATION COVERABLE	50K Hours	COLOUR CHANGE	POWER CHANGE	7 YEAR Warranty

CAT NO.	WATTAGE	COLOUR CHANGE TEMPERATURE	LUMINAIRE LUMEN	USEFUL LUMENS
UTF6WCCT	4W / 6W	2700K	465 / 710lm (2700K)	372 / 569lm (2700K)
		3000K	470 / 725lm (3000K)	377 / 580lm (3000K)
UTR6WCCT		4000K	485 / 750lm (4000K)	396 / 602lm (4000K)
		6000K	480 / 745lm (6000K)	387 / 590lm (6000K)

CAT NO.	BEZEL TYPE	LUMINAIRE LUMENS PER WATT	CRI	BEAM ANGLE	FREQUENCY (V/Hz)	CURRENT	POWER FACTOR	AMBIENT TEMP RATED LIFE (°C)
UTF6WCCT	Flat	116 / 118lm/W (2700K)	>80	60°	220-240 / 50-60	22mA / 30mA	>0.9	25°C
		118 / 121lm/W (3000K)						
UTR6WCCT	Regressed	121 / 125lm/W (4000K)						
		120 / 124lm/W (6000K)						

